

Description:

The Local Control Station (LCS) is supplied fitted into an IP40 rated enclosure and has the same indicators and Manual Release switch as the Agent Release Module within the Fire Alarm Control Panel (FACP) but no Agent Select button or Service Inhibit keyswitch.

The Comms line is RS485 and is cabled to the Agent Termination Board.

The Interlock is a monitored input with 10KΩ EOL. This input is used to determine if air conditioning dampers and doors are closed but can be defaulted to the "ON" condition by terminating the input with a 2K2Ω EOL.

Installation:

Observe anti-static precautions at all times

The LCS MUST be mounted in an area that is NOT subject to conditions likely to affect its performance, e.g. damp, salt-air, water ingress, extremes of temperature, abuse etc.

Removing the Knockouts

Carefully decide how the wiring will be brought into the panel then remove the required knock-outs for the bushes and cables.

The knock-outs should be removed with a sharp tap in the rim of the knock-out using a flat broad-bladed screwdriver. Use of excessive force could damage the enclosure around the knock-out.

Always ensure if a knock-out is removed, the hole is filled with a good quality cable gland. Any unused knock-outs must be securely blanked off.

Fixing the Chassis to the Wall

Remove the surround by unscrewing the screw at the bottom of the back box then gently pulling the bottom of the surround out then down and away from the enclosure. Unscrew the 4 screws holding the control panel to the back box.

Taking into account the weight of the panel securely mount it by using at least four of the eight mounting holes shown in *Figure 1*. Use suitably sized screws and plugs for the type of mounting surface.

Mounting is best achieved by positioning the box against the surface it is to be mounted to, marking the holes, taking the box well away from the surface and then drilling the holes.

Caution: Any dust or swarf created during the fixing process must be kept out of the cabinet and great care should be taken not to damage any wiring or components.

Connecting the LCS to the Agent Termination Board (See Figure 2)

1. ISOLATE THE AGENT
2. Check the FACP is functioning correctly then power down
3. Connect the LCS to the Agent Termination Board within the Fire Alarm Control Panel and Interlock as shown below. If applicable take into consideration warning signs at this point
4. Insert the link LK1 onto the last LCS in the chain. If un-used place the link onto one of the LK1 pins
5. Set the address of the LCS,
6. Re-assemble the control panel and surround
7. Power up the system and program the FACP for the addition of the LCS
8. Check the FACP is functioning correctly and test
9. De-isolate the Agent

CAUTION: TO PREVENT ACCIDENTAL AGENT RELEASE DO NOT DE-ISOLATE THE AGENT UNDER ANY CIRCUMSTANCES UNTIL THE SYSTEM AS A WHOLE IS FUNCTIONING CORRECTLY

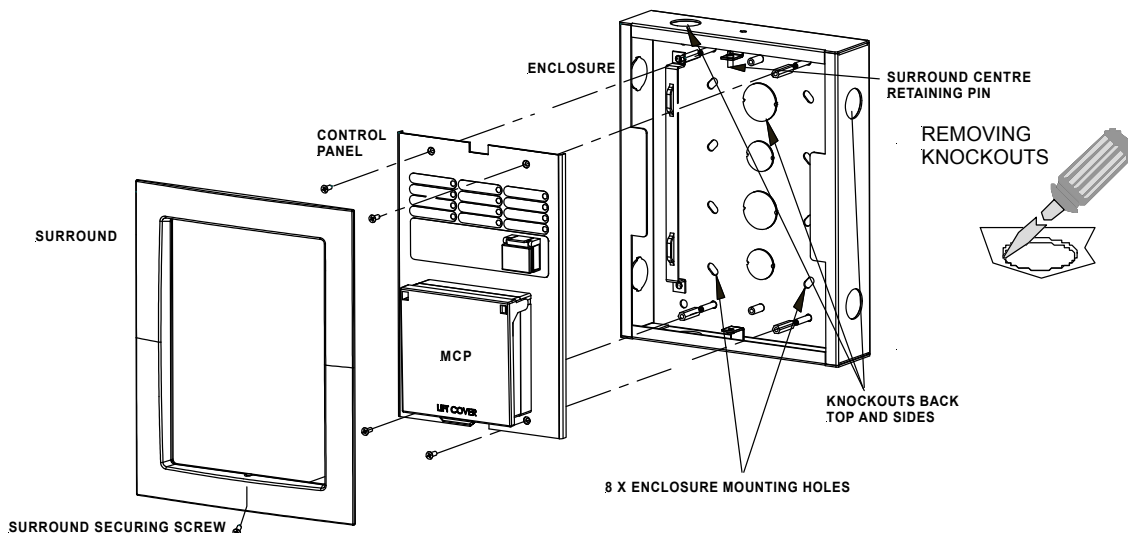


Figure 1: Local Control Station Layout, Assembly & Knockouts

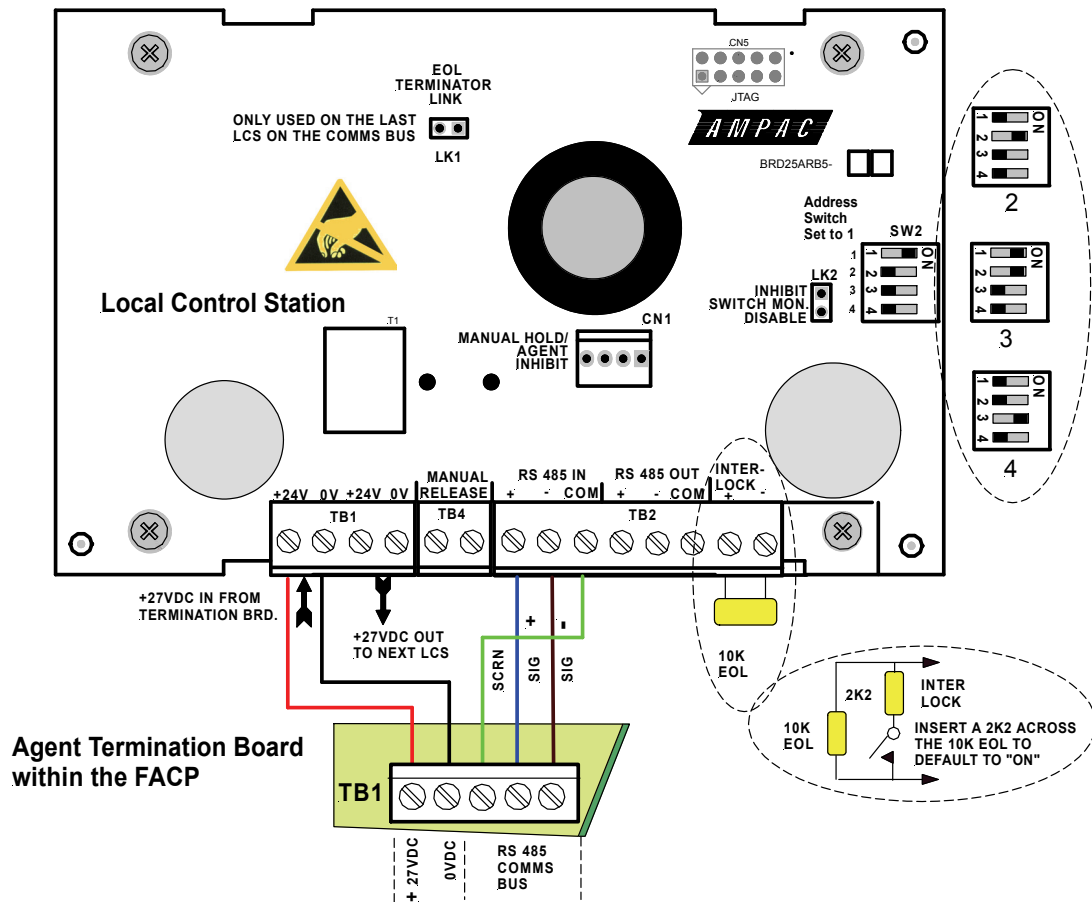


Figure 2: LCS to Termination Board Connections



Figure 3: Local Control Station

NOTE: Double action switching is achieved by way of protective lift up covers seen here and manual operation of the MCP or Inhibit switch.

To ensure correct operation and prevent accidental release of the agent these covers should not be disabled for any reason