

Introduction:

The AFB- 63 is a motorised bell and comes fitted with a built in reverse voltage protection diode and capacitor for electromagnetic compatibility (EMC).

Features:

- Available in 12VDC (206-0011) or 24VDC (206-0012/13)
- Low current consumption
- Rear cable access
- Mountings for BESA round J and AFB back box

Installation:

Undo fixing screw to remove the gong.

Note: Take care to avoid damage to striker mechanism.

Pull cable through the 20mm cable entry at the rear of base.

Fixing:

Observe correct orientation.

Fix the base to a recessed conduit or wall box or over a flat surface.

Tighten screws evenly to prevent distortion.

(See figure 1)

Terminating:

Observing polarity to ensure line-monitoring integrity, terminate the cables to the appropriate +/- terminals. (See figure 2)

Replace the gong and firmly tighten.

Testing

Active the FACP to operate the bell

Note If applicable isolate the Fire Alarm System from calling the fire brigade.

Observe anti-static precautions at all times

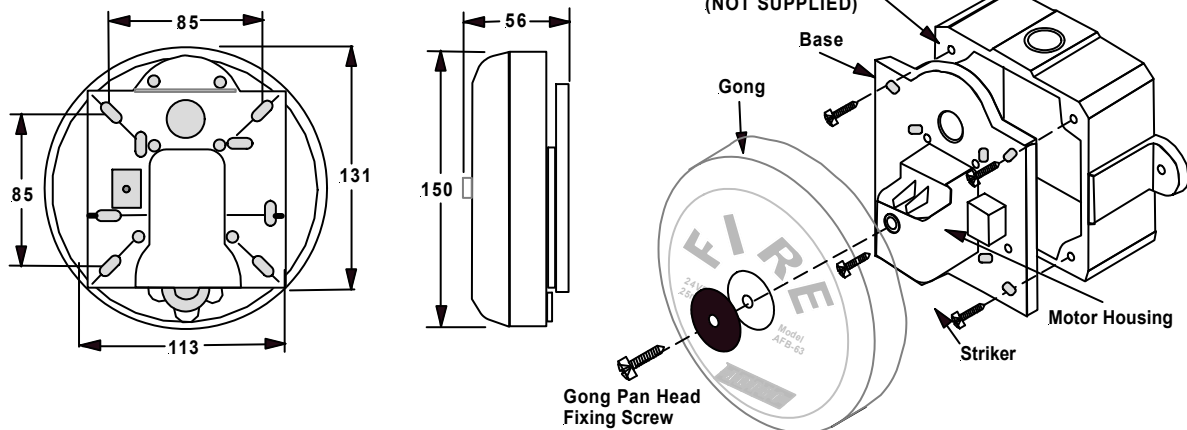


Figure 1: Mounting Details

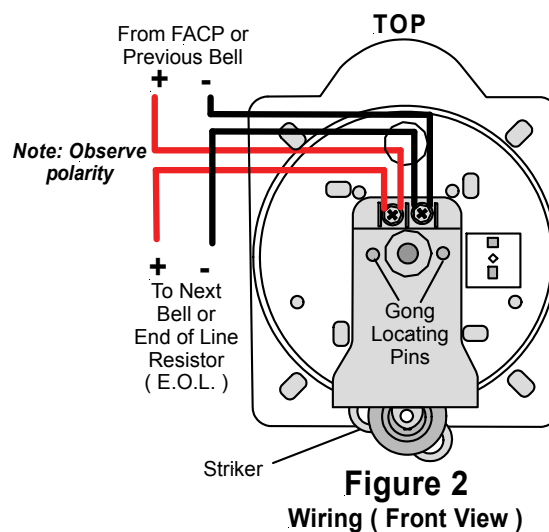


Figure 2
Wiring (Front View)

Figure 2: General Wiring