

**Description:**

Indicates the status of ancillary equipment  
 16 indicators per card, 1 per input of Input Board  
 Indicators map to the Input Board (code 4310-0040)  
 Labels can be modified on site  
 Programmed via the FACP front panel  
 The General Indicator Card Fast Fit Kit consists of;  
 1 x BRD25GIBB-'x' General Indicator Board  
 1 X 220mm and 350mm RJ45M Comms / power cable

**Installation:**

**Observe anti-static precautions at all times**

1. One General Indicator Card per FACP is designed to clip into the front panel of the FACP
2. From inside the FACP remove the blank panel by depressing the 2 top and bottom retaining clips while at the same time pushing it out through the front panel
3. Set the address to 1, install slip in labels and clip the Indicator Card in its place
4. Select a suitable cable length from those supplied to connect CN1 of the card to the CN9 of the Main Control Card or, CN2 of the previous front panel card
5. Cable CN5 (RS485 & 27VDC) of the Main Control Card to CN1 of the I/P board and set the address to 1
6. Power up, connect the batteries, program and test

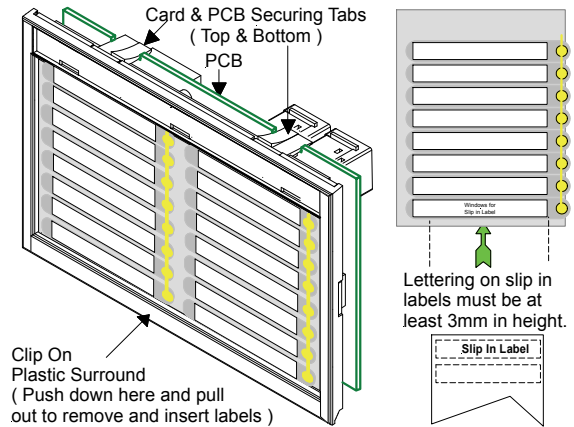


Figure 1: General Indicator card (see LAB1479.doc for Slip in Labels)

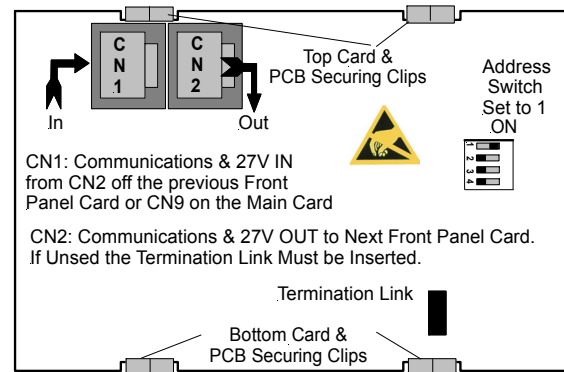


Figure 2: Rear View PCB

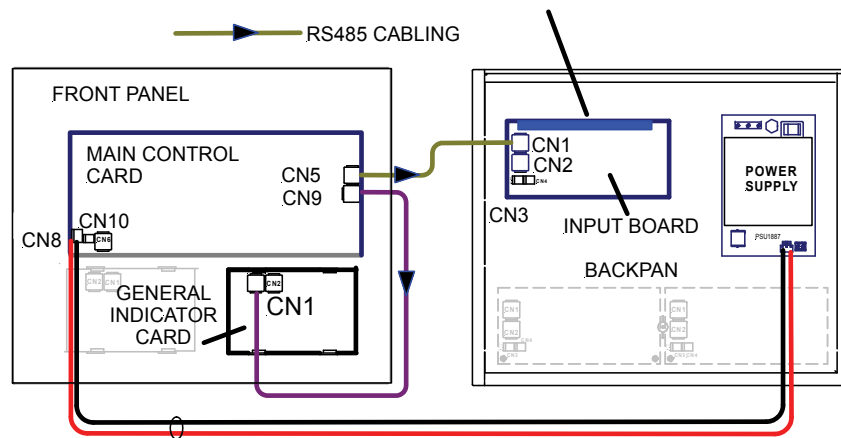
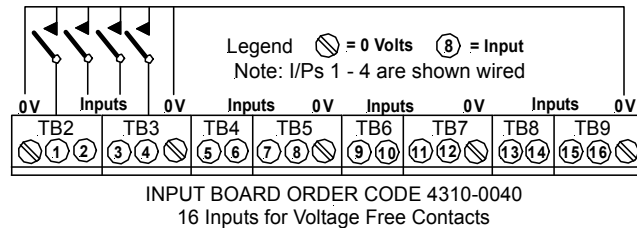


Figure 3: General Indicator Card & Input Board Internal / External Cabling