

**Description:**

- Remote alarm zone indication
- 16 zones per card
- Labels can be modified on site
- Enabled via front panel of the FACP
- The Zone Mimic Indicator Card Fast Fit Kit consists of
- 1 x BRD25GIBB-'X'
- 1 x Mounting box.

**Installation:**

**Observe anti-static precautions at all times**

1. Power down and disconnect the batteries
2. Mount the box and bring the cabling into it through the knockouts
3. Terminate the cabling to the Zone Mimic Indicator Card as shown in Figure 3
4. Set the address (1 to 4) on the Zone Mimic Indicator Card as in Figure 2
5. Insert the termination link K2 on the last card in the chain
6. Secure Zone Mimic Indicator Card to the wall box
7. Power up, connect the batteries, program and test
8. Fill details on slip-in labels as in Figure 1

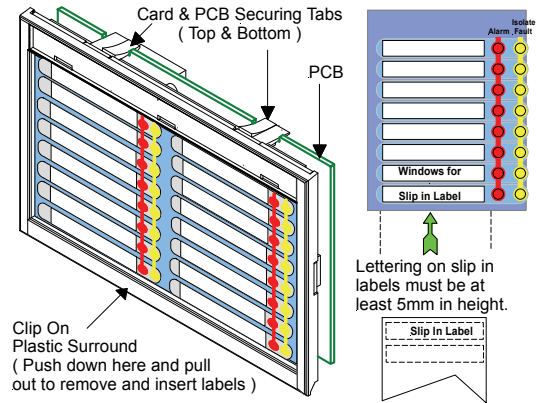


Figure 1: Zone Mimic Indicator Card (See LAB1491.doc for Slip in Label)

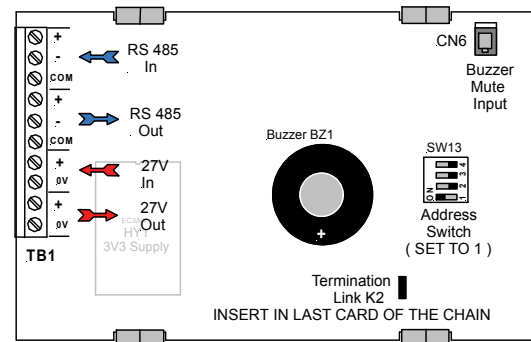


Figure 2: Zone Mimic Indicator Card PCB Layout

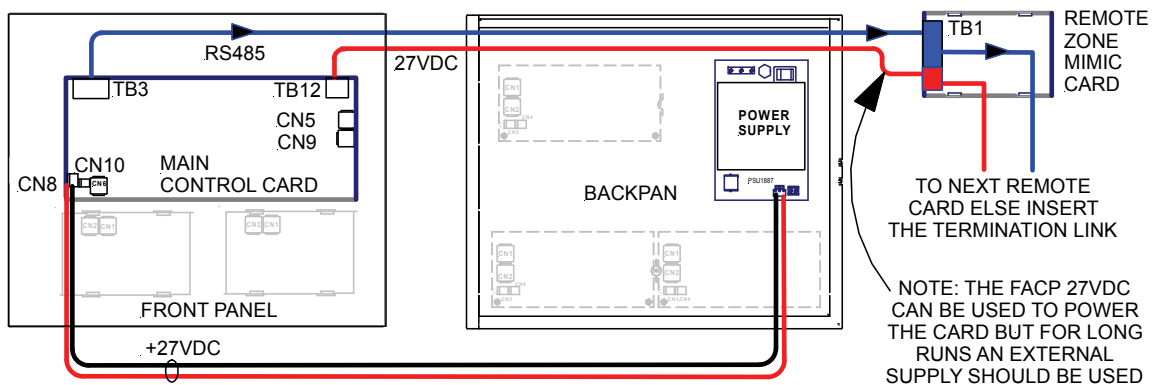


Figure 3: Remote Zone Mimic Indicator Card Cabling