

Description:

The LED Mimic (302-715), LED Mimic Display Board (302-733), and the **FireFinder** Controller Interface Card [CIC] (302-725) is designed to provide remote indication of the current status of an NZ **FireFinder** FACP. The mimic will indicate any zones, or sensors in alarm as well as providing common Fire, Defect, DBA, system Normal indication, and a General Purpose Relay Output.

LED Mimic 302-715 Specifications

Function Keys	Lamp Test Lamp Reset Buzzer Mute CPU Reset Address Switches System Switches
Indicator (LED's)	Power On Normal Fault
Power Supply	TB1: 20 to 28VDC @ 100 mA CN6: 5 volt output (aux power)
Outputs	CN1, 2, 3 & 4: 32 outputs for Zone indication CN5: 5 outputs for Fire, Pre-Alarm, DBA, Defect and Normal indication CN5: 1 buzzer output TB4: General Purpose Output, 1A Voltage-free changeover contacts
Inputs	CN5: 5 inputs for Mimic Reset, Lamp Test, Buzzer Mute, Bell Isolate and Evacuate

The LED Mimic derives power (Max 2 Amps) and RS485 comms from the **FireFinder** CIC (302-725). In small systems with 1, or 2 LED Mimics on cable runs of less than 400 meters suggested cabling is 2 Pair Twisted 100Ω Shielded Data Cable (0.2mm² cores minimum) e.g. OLEX JECP87F5002, BELDEN 9804. In larger systems with more than two LED Mimics or long cable distances use 1 Pair Twisted 100Ω Shielded Data Cable e.g. OLEX JECP87F5001, BELDEN 9841 for communications. It will be necessary to supply power to LED Mimics via separate cables. The size of the power cables will depend on the number of mimics used and the total distance Table 2.

Operation of the LED Mimics is not monitored by the FACP. If communications to the LED Mimics fail, the LED Mimic will flash the 'Defect' LED rapidly to indicate a communication defect. Correct operation of the LED Mimic and FACP is confirmed by the 'Normal' LED flashing on the LED Mimic.

Recommended Maximum Cabling Distances using 2 Pair Data Cable.

Number of LED Repeater Boards	Max Distance
1	400m
2	200m

Table 1

Recommended Power Cable Sizes for Larger Systems

Number of LED Mimics	Distance = <500m	Distance = 500m< >1Km	Distance = 1Km< >1.5Km	Distance =1.5Km< >2Km
1	0.3mm ²	0.5mm ²	1mm ²	1.5mm ²
2	0.5mm ²	1mm ²	1.5mm ²	2.5mm ²
3	0.75mm ²	1.5mm ²	2.5mm ²	4mm ²

Table 2

Installation:

Controller Interface Card 302-7250 & LED Repeater Board 302-7150.

Observe anti-static precautions at all times

1. Power system down, and remove batteries.
2. Mount the Controller Interface Card on standoffs in the left side of the panel.
3. To connect the CIC to the **FireFinder** Main Board 302-674, plug one end of the sixteen-way cable provided into CN1 of the CIC and the other end into CN18 of the Main Board 302-674. Connect TB1 and TB3 of the CIC to the external cabling.
4. Mount the LED Mimic Board 302-715 and the Expansion LED Board 302-733 on stand-offs within an enclosure. Connect TB1 of the 302-715 LED Mimic to the external cabling then connect as shown in Table 3.

LED Mimic Board	Expansion Board
CN5	CN1
CN1	CN2
CN3	CN3

Table 3

5. Set Switches as follows SW2-1 ON, SW2-2 OFF, SW2-3 OFF, SW2-4 OFF, SW2-5 OFF, SW2-6 OFF, SW2-7 OFF, and SW2-8 OFF (All LED Mimic Boards are set to address No. 4).
6. Power up and test LED Mimic functions.

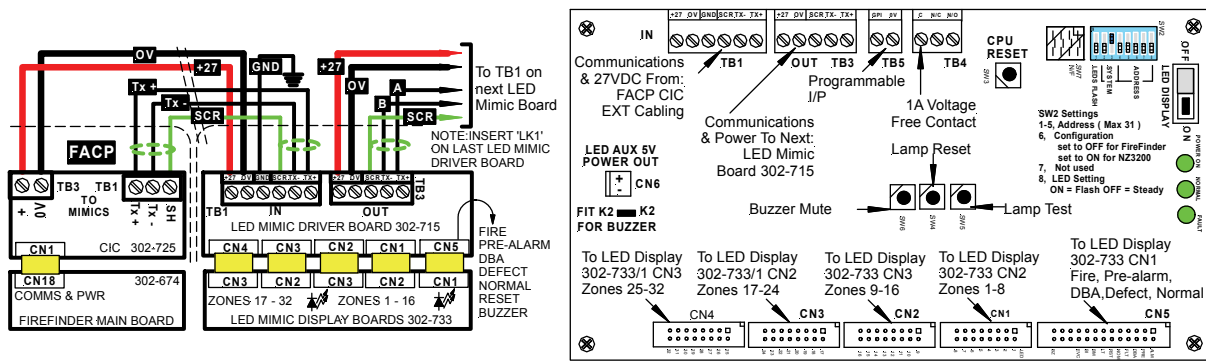


Figure 1: General Power Wiring and Board Layout

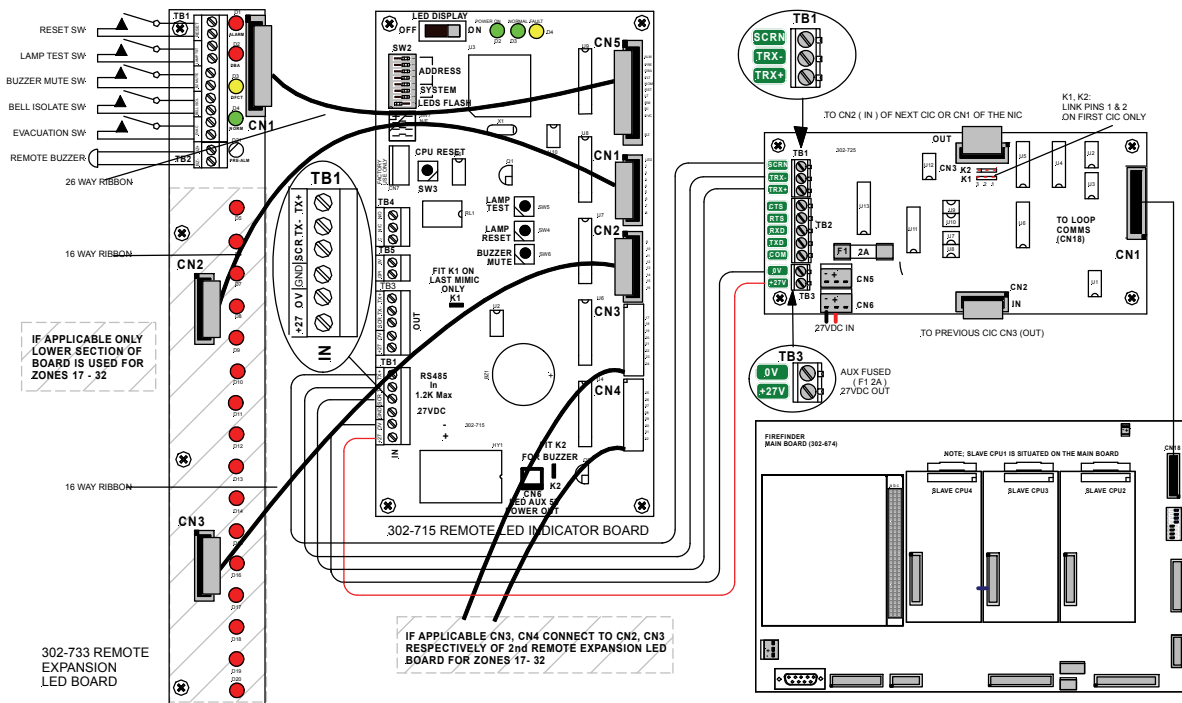


Figure 2: General Cabling

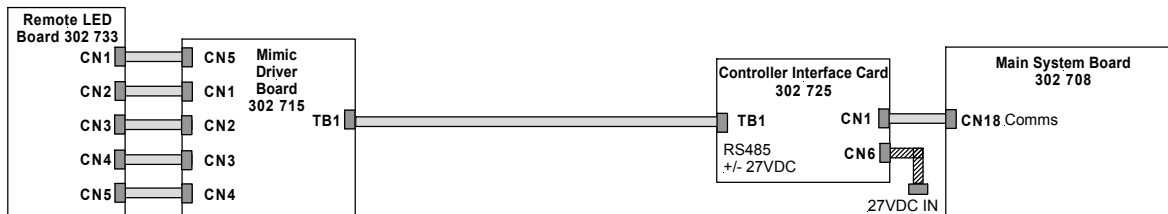


Figure 3: Block Diagram