

Description:

The Bell Driver (301-731) allows the NZ3200 system to monitor the bell lines. A total of four bell drivers may be connected to a NZ3200 whilst maintaining full monitoring. Larger numbers may be used if monitoring is not required.

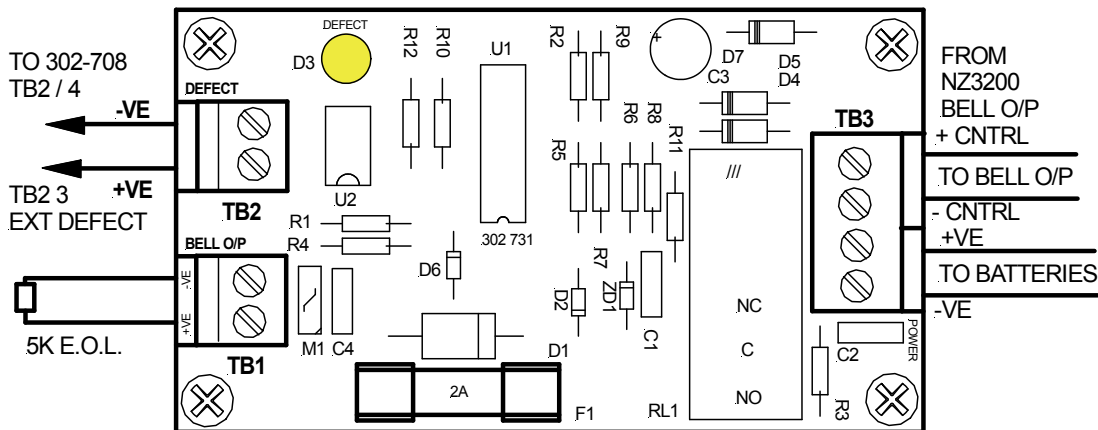
In Figure 1 below the system is able to drive a 24V 2Amp bell line and three 24V 2 Amp bell lines. Because the current required by the bell driver board is very low, it is permissible to supply the full two amps from each bell output of the 302-708.

Installation:

Observe anti-static precautions at all times

1. Turn off mains power and disconnect batteries.
2. Mount the bell driver on standoffs using one of the option board locations in the left hand side of the FACP.

3. Connect TB3 of the bell driver board to the Bell output of the NZ3200. +CTRL connects to Bell+, -CTRL connects to Bell -. This connection is low current and light duty hookup wire may be used.
4. Connect TB3:+VE of the bell driver to the positive of the batteries (may be connected at the 302-708, or from a previous bell driver), connect TB3: -VE to the negative of the batteries.
5. Terminate the bell line into the BELL (TB1: Bell+ and Bell-) output of the bell driver.
6. Terminate TB2:+VE,-VE of the BELL the bell line into the External Defect (TB2:3, 4 302-708).
7. Turn on. Check that the Defect LED on the bell driver board isn't illuminated.



IF MULTIPLE BOARDS ARE USED CONNECT DEFECT AS SHOWN BELOW

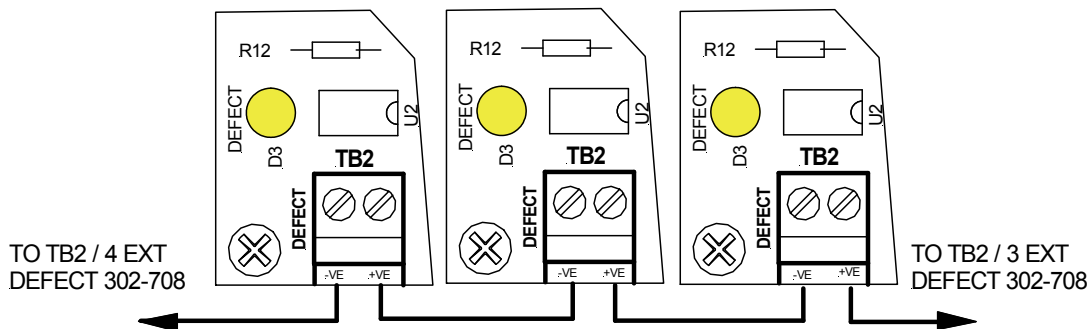


Figure 1: General Wiring Diagram