

Description:

This board allows the SGD type II output used in AMPAC Fire Panels to be adapted for use by other interface boards.

Features

The adaptor provides voltage free contact outputs for:

- Signaling fire
- Defect
- Isolate
- Test conditions.

Specification

Size 84mm x 48mm

Power requirements 10 - 30V @ 30mA

Note: "Fire" relay is energised when fire panel is "Normal" condition. Output condition for "Fire" relay therefore is stated with relay energised.

Installation:

Observe anti-static precautions at all times

Link Settings

K1: Fit to operate isolate output with test switch. Use for SAFE.

K2: Sets "Defect" output condition.

1-2 (default) Output normally closed, open / defect.

2-3 Output is normally open, closing on defect.

K3: Sets "Fire" output condition.

1-2 Output is normally open, closing on Fire.

2-3 (default) Output normally closed, open / Fire.

Installation

1. Disconnect the Mains and batteries from the FACP
2. Mount the board in one of the option locations
3. Connect the SGD to the FACP as shown below
4. Reconnect Mains power and batteries
5. Program test

OPTIONAL POWER TERMINAL BLOCK FOR NZ400 AND NZ100 CONNECTS TO :-
: NZ400 TB1 12 VOLT OUT
: NZ100 BATTERY OUTPUT

CN2 CONNECTS TO :-
: NZ3200 302-5880 CN11
: NZ3200 302-7080 CN3

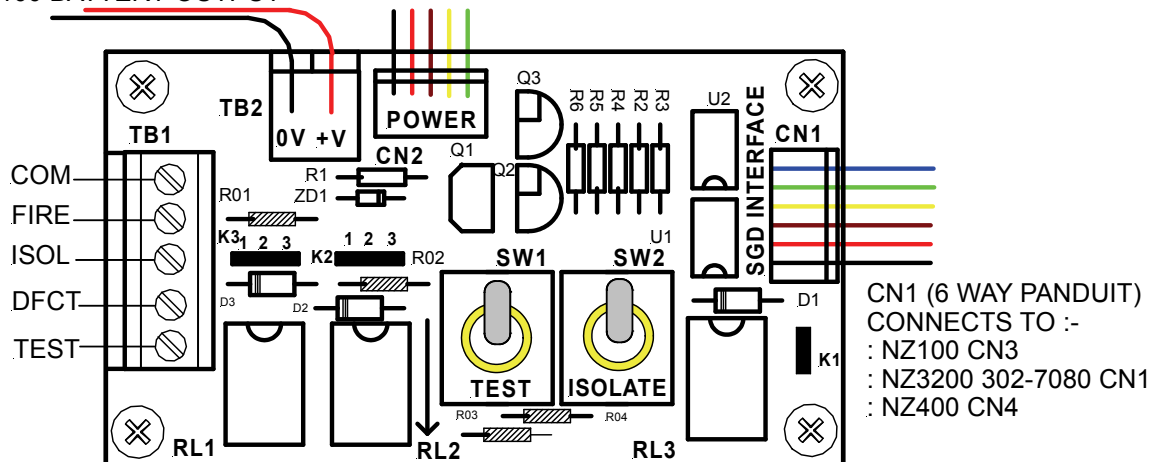


Figure 1: General Wiring Diagram