

### Description:

The warning signs are driven by a 2 wire system and may be configured for single or dual level operation.

An on-board buzzer provides an audible warning which can be disabled by removing JP4 if required.

An external mute push-button (N/O contacts) can also be connected to Term 6 on the warning sign main PCB to enable the user to silence the internal buzzer remotely. Inserting JP5 disables this function.

An external Vantage sounder (Item No.205-0062 / Red, 205-0063 / White) or the Vantage Combi (205-0066 / Red, 205-0067 / White) can also be connected to TB4 on the Warning Sign Termination Board as shown in Figure 2.

### Enclosures

The **IP50** sign is supplied in a Metal enclosure. The fascia surround is fitted by removing the screw on the right hand side of the enclosure and pulling it away to the left. The fascia sign is fitted in place and the tabs bent over to hold it in place. Two holes in the backpan of the chassis allow for mounting.

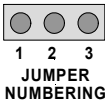
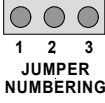
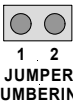
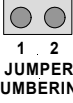
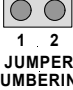
The **IP65** sign is supplied in ABS. The enclosure has 10 screws, tightened evenly to hold the fascia in place. Do not over tighten these screws down onto the seal as damage could result. 4 holes in the backpan allow for mounting.

### Installation:

#### **Observe anti-static precautions at all times**

1. Remove the backpan from the enclosure to ensure it is not damaged while mounting the enclosure
2. Bring the cabling into the enclosure by removing the knockouts most appropriate for the installation
3. Mount the enclosure, remount the back pan
4. Power down the FACP and disconnect the batteries
5. **Note:** *If the signs are cabled for Agent Release ENSURE THE AGENT IS ISOLATED and tested from the Agent Release Module.*
6. Set configuration by way of JP1 to 5
7. Connect wiring as per Figure 1
8. Connect the SYNC Line TB1 if the warning signs are to be synchronised
9. **Note:** *If IP65 rating is to be maintained wiring thru knockouts must be fitted with the appropriate weatherproof gland*
10. Power up / re-connect batteries and test
11. Screw the appropriate fascia to the enclosure

### Configuration – Main Board Jumper Settings

Jumper No.		Description	
<b>JP-1</b>  1 2 3 JUMPER NUMBERING	1 - 2	Dual Level	Top row LED's will be ON at Level 1 Alarm All LED's will be ON at Level 2 Alarm
	2 - 3	Single Level	All LED's will be ON at both Level 1 and 2 Alarm
<b>JP-2</b>  1 2 3 JUMPER NUMBERING	1 - 2	Continuous	LED's permanently ON Internal Buzzer outputs continuous tone
	2 - 3	Flashing	LED's flash at approximate rate of 2.3Hz Internal Buzzer outputs tone matching the flashing LED's
<b>JP-3</b>  1 2 JUMPER NUMBERING	1 - 2	Enable Sounder	External Sounder will active at both Level 1 and 2 Alarm
<b>JP-4</b>  1 2 JUMPER NUMBERING	1 - 2	Enable Buzzer	Internal Buzzer will active at both Level 1 and 2 Alarm
<b>JP-5</b>  1 2 JUMPER NUMBERING	1 - 2	Disable EXT-Mute	Disable External Mute for both Internal Buzzer and External Sounder

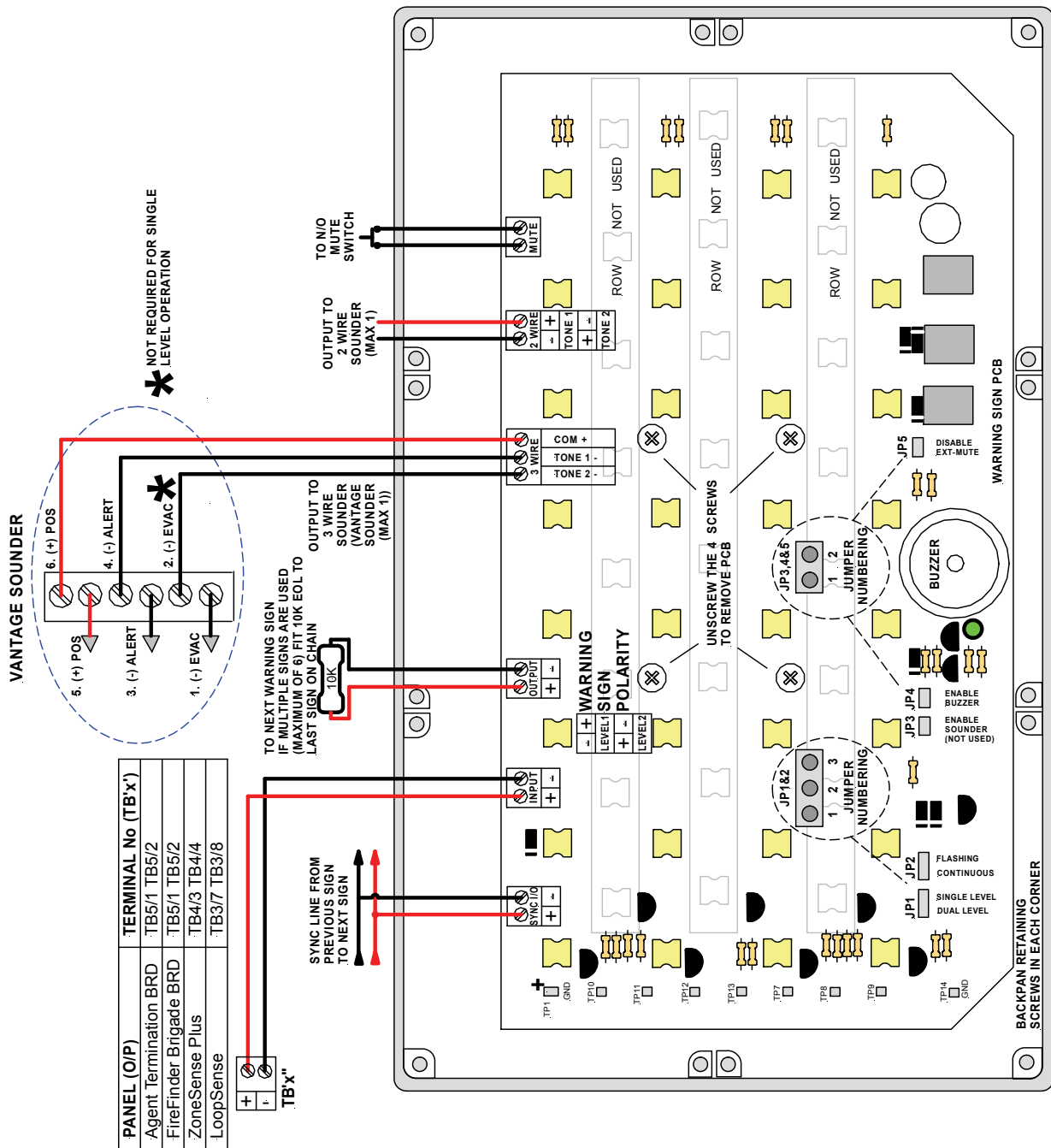


Figure 1: Warning Sign General Wiring and Link Options