

**Description:**

The EV40 is designed to automatically or manually initiate an occupant warning signal that complies with AS2220.

The EV40 installation kit consists of the control card, signal generator / amplifier board, wiring and mounting hardware.

**Note:** Factory "Time Out" setting is "30" seconds.

**Installation:**

**Observe anti-static precautions at all times**

1. Power down the FACP and disconnect batteries

2. Unclip a blanking plate from the front panel and clip the control card in its place. Insert label if required
3. Set the required time out between "Alert" and "Evac"
4. Mount the EV20 onto the standoffs then cable to the FACP Main Control Board and front panel control card
5. Connect the 27VDC to CN10 on the Main FACP Control Board. Note this board must be removed to access CN10
6. Power up the FACP, connect the batteries and test

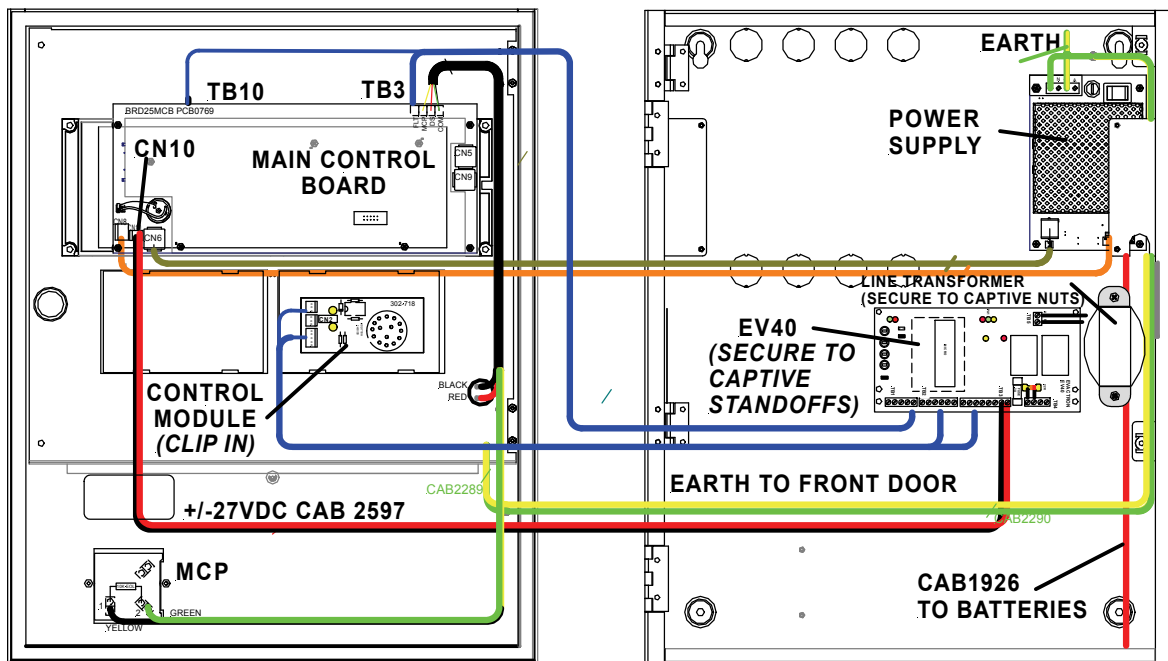


Figure 1: Exploded View of Cabling to the ZoneSense PLUS FACP

**NOTE:** The main control board must be removed to access the 27vdc connector CN10. this is done by removing the 4 screws in each corner of the main control board abs bridge and carefully tilting the board to plug the cable CAB2597 into CN10

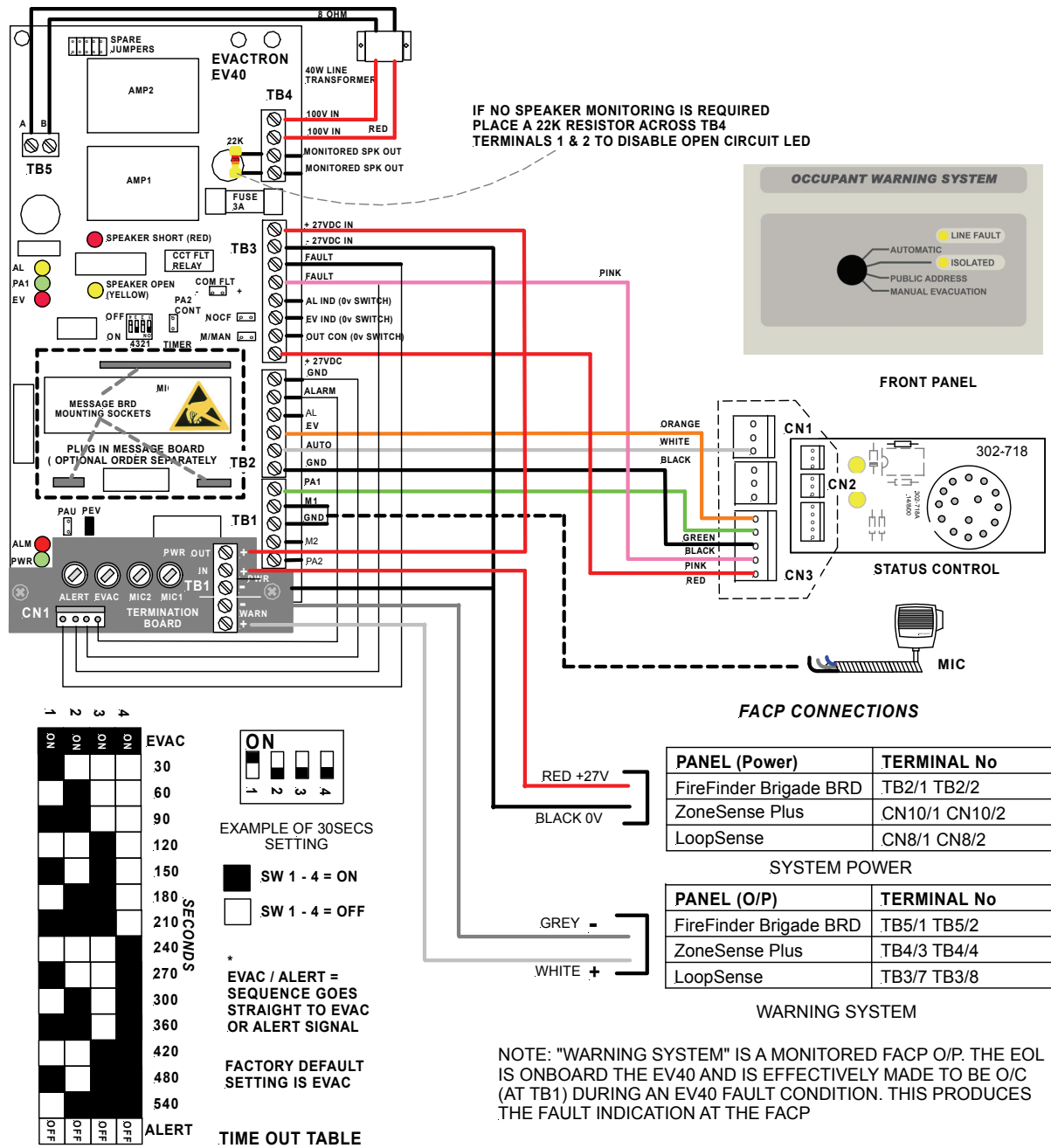


Figure 2: General Wiring diagram