

**Description:**

The LAM and IP40 housing is supplied assembled and ready to be mounted to any flat surface.

**Features:**

Remote alarm & fault / isolate zone indication (8 zones)

Remote FACP status indication

Lamp test and buzzer silence controls

ZoneSense PLUS Max 8 LAM's per FACP (addresses 1-8)

Slip in label for Zone 1-8 or site specific information (see LAB2656.DOC)

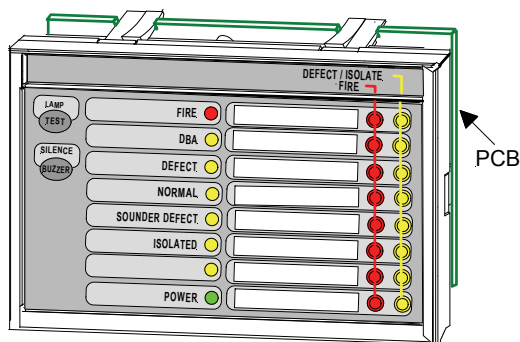
Programmed zones 1 (top) to 8 (bottom)

**Installation:**

**Observe anti-static precautions at all times**

1. Power down the FACP, disconnect the batteries

2. Open the front door and remove the four (4) screws securing the front cover to the housing.
3. Install an appropriate coupling into the housing then mount using the three (3) knockout mounting holes
4. See *Figures 1 and 2* if site specific label is to be fitted
5. Set the address (1 to 8) on the LAM as in *Figure 2*
6. See *Figure 3* for information on inserting the termination link LK1 on the last card in the chain
7. Reassemble
8. Terminate the cabling from the FACP to the LAM as shown in *Figure 3*
9. Power up, connect the batteries and test



Release of the Clip On Surround: Push down here, pull out and lift up to remove and insert label.

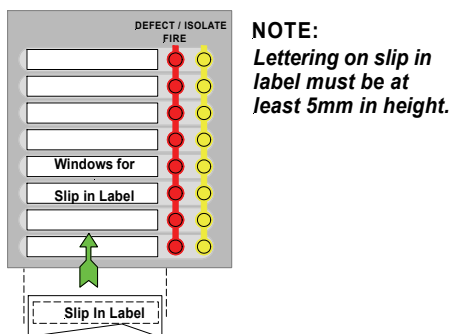


Figure 1: Inserting Optional Site Label

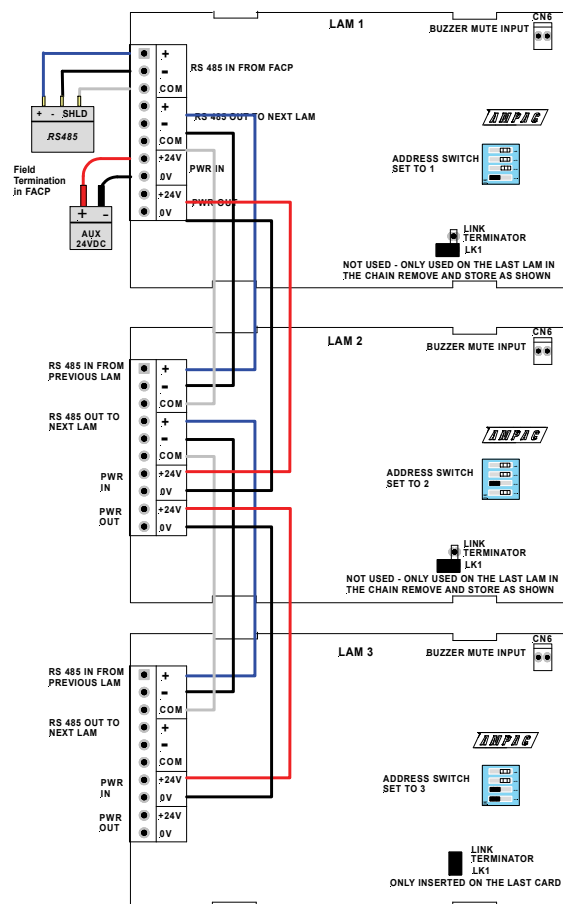


Figure 2: General Wiring of 3 LAM's

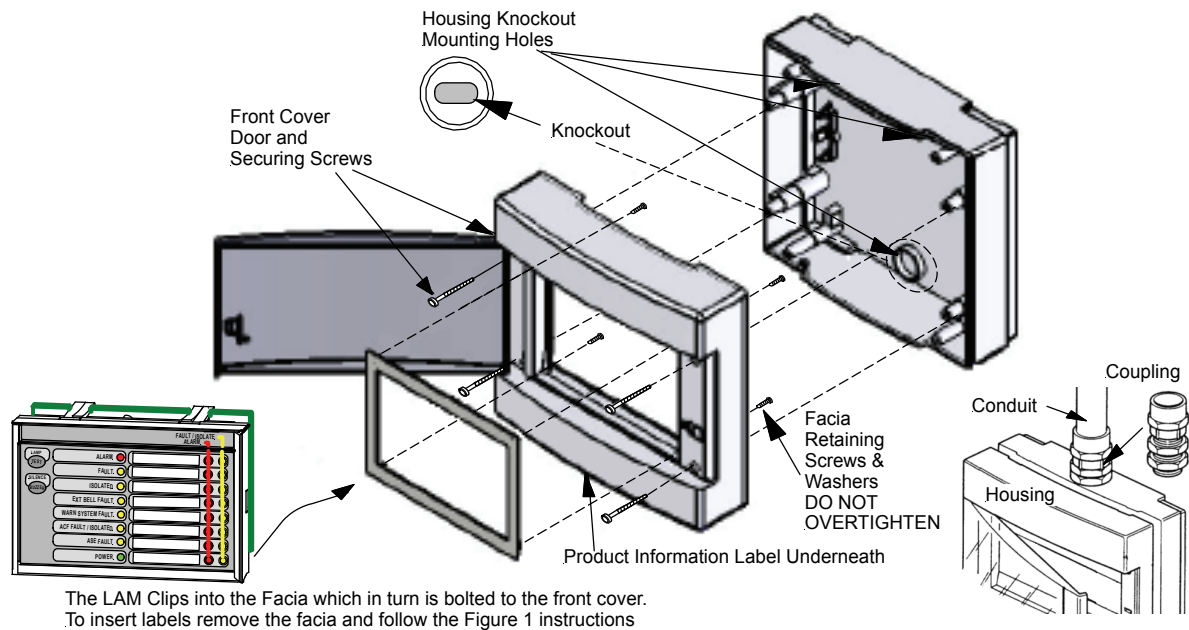


Figure 3: General Wiring Diagram