

2 Way Audio Splitter – Installation Guide

Item Numbers – 4210-0143 to 0144

Description

The Input Output Device range comprises of the following eight variants:

- 4210-0143 EV3000 2 Way Remote Audio Splitter – DIN MOUNT
- 4210-0144 EV3000 2 Way Remote Audio Splitter (Enclosed)

The DIN-Rail Mounted Devices are designed to be mounted in an enclosure, clipped onto a standard 35mm DIN Rail (DIN46277) and secured using the built in fixing. End stops can also be used to provide additional security. Alternatively, the Devices can be mounted direct to an enclosure back panel using the internal preformed fixing holes.

The Enclosed variant are each supplied within a back box and are suitable for surface mounting.

Note: the 2 way splitter is not intended for outdoor use unless mounted in a suitable weatherproof enclosure.

The installation must conform to applicable local codes and be carried out such that the Devices are not subjected to exposure to temperatures exceeding the maximum ambient, exposure to moisture, dust and foreign bodies or exposure to a risk of mechanical damage.

Installation

DIN Rail

Clip the 2 Way Audio Splitter to the standard 35mm DIN rail using the Red locking clip located in the front of the device. Alternatively, fix direct to the enclosure back panel using appropriate M4 nuts and bolts.

Enclosed

Remove the clear ABS cover and securely mount the back box to a wall or suitable structure using the integral fixing positions then install all external cables using the knock outs and/or cable tray entry points as required.

1. Connect the cables as shown in the following diagram
2. Ensure EOL devices are fitted.
3. Test and Commission

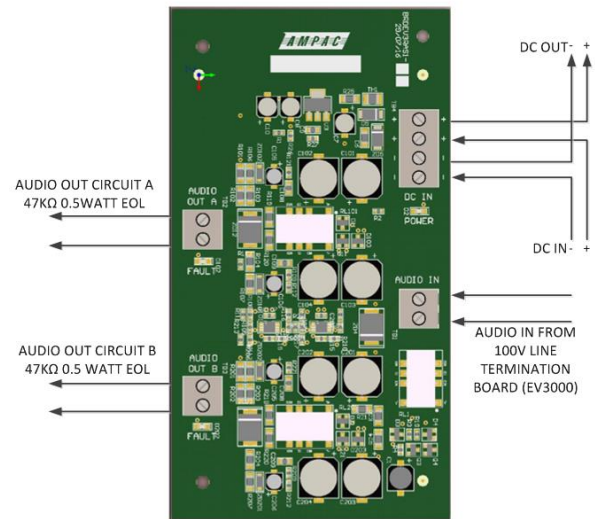


FIG 1: 2 Way Audio Splitter Wiring Details

LED Indications

The 2 Way Audio Splitter has three on board LEDs which provide indication for Power Applied, Fault on Audio Circuit A and Fault on Audio Circuit B

Function	Colour	Mode	Description
Power	Green	On	Power applied t
Fault A	Yellow	On	Audio Circuit A in fault
Fault B	Yellow	On	Audio Circuit B in fault

Specifications

Quiescent Current	17mA @ 17-30VDC
100VAC Audio Output	60 Watt max (2 in total)
Monitoring	47kΩ 500mW EOL
Temperature	-20°C to 70°C
Humidity	0-95% non-condensing

Commissioning

It is important that the device is tested thoroughly after installation.

Once installed, induce an S/C fault on to each audio output and ensure the appropriate fault LED is lit and the output recovers once the fault is removed.

Ampac Technologies, 7 Ledger Road, Balcatta, Western Australia, 6021
Tel +61 8 9201 6100