



Description

The Reset/Isolate Input Board facilitates local reset and isolate of the **FastSense 25** or **FastSense 100** detector.

The kit for Reset/Isolate Input Board consists of:

- A single gang control plate engraved and fitted with a non-latching switch and a key switch
- A 500mm wiring harness
- An Installation Guide

When the **FastSense 25** or **FastSense 100** detector goes in alarm, it remains in this latched state, even though the smoke may have cleared. For the detector to return to the normal state, it needs to be reset. The operator executes a reset by first putting the keyswitch to "Reset Enabled", followed by pressing the "Reset" switch.

If the operator is conducting tests on a detector or the zone where a **FastSense** detector is installed, the alarm output can be isolated. This can be achieved by turning the keyswitch to the "Isolate" position.

The keyswitch is removable only in the "Normal" condition.

Item Numbers

230-0170	Reset / Isolate Board
-----------------	-----------------------

Technical

The Reset/Isolate Input Board has a 26way connector and this plugs into the connector "CN1" on the FastSense detector.

The control plate houses the reset switch and keyswitch that facilitates the reset or isolate function of the FastSense detector. Prior to resetting or isolating the detector, the controls must be enabled using the keyswitch. The "003" key is removable only in the "normal" position.

A wire harness between the control plate and Reset/Isolate Input Board is 500mm in length and must not be extended.

Specifications

Operating Voltage	27VDC
Control Panel	Single Gang
Keyswitch	3 position latching – 'NORMAL' 'RESET ENABLE' 'ISOLATE' key removable in one position
Key	003
'RESET' Control	Non-Latching

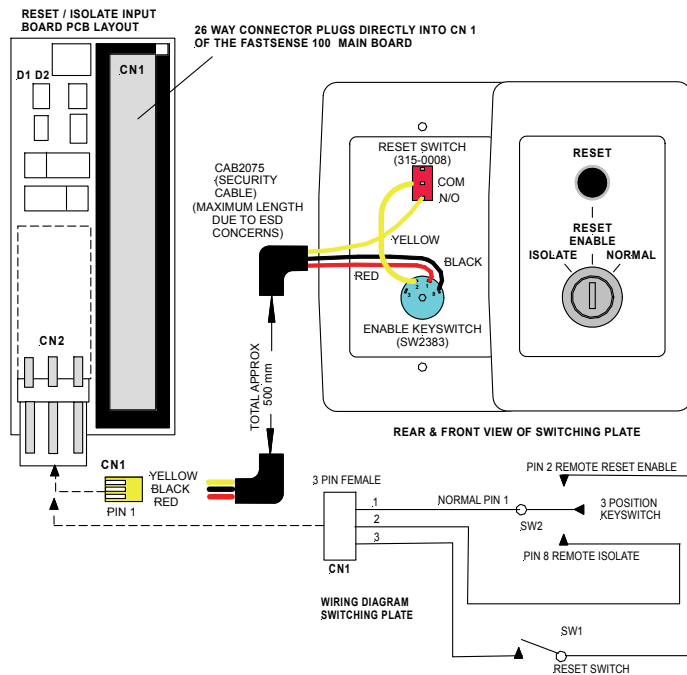


Figure 1: General wiring Diagram