

Decorative Flush or Surface Mount Door Holder

Features

- High Quality Bright Chrome, Lacquered Brass & Stainless Steel
- Flush or Surface Mount
- 24V DC or 230V AC Supply Voltage
- 200N (20kg) Holding Force
- Zero Residual Force
- Integral Release Switch
- Floor Mount Bracket (optional)

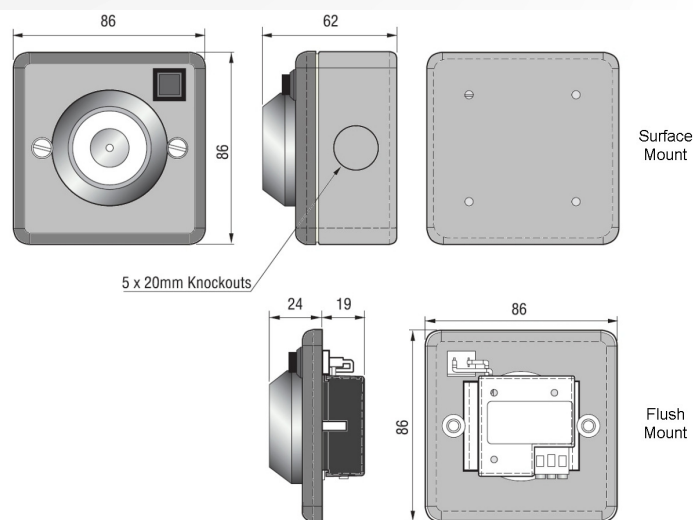
Description

Decorative Door Holders are particularly suitable for installation in prestigious projects such as Hotels, Offices, Historical Buildings and Museums. Built around a robust fascia plate for flush mounting and supplied with a back box, the Door Holders are available in Bright Chrome, Lacquered Brass or Stainless Steel finish with matching Decorative Keeper Plate. An optional Surface Mount Kit is available in matching finishes, with 20mm entry holes and blanking plugs for surface mount applications.

Designed to allow doors to be held open under normal conditions and released during a fire alarm condition, the Door Holders are simple to install and commission and are suited to a wide range of applications including:

The Door Holders are 24Vdc or 230Vac powered and incorporate a built in switch to enable manual release of the door during emergencies or for maintenance purposes. The 230Vac unit includes a filter for EMC emissions. Internal diodes dissipate any "back EMF" on switch-off reducing wear at the control unit.

Assembly



Decorative Door Holders

Item Numbers

4101-3002	Chrome Flush Mount 24Vdc Holder
4101-3003	Brass Flush Mount 24Vdc Holder
4101-3004	Stainless Steel Flush 24Vdc Door Holder
4101-3006	Chrome Flush 230Vac Door Holder
4101-3007	Brass Flush 230Vac Door Holder
4101-3008	Stainless Steel Flush 230Vac Door Holder
4101-6005	Chrome Surface Mount Kit
4101-6006	Brass Surface Mount Kit
4101-6007	Stainless Steel Surface Mount Kit

Specifications

4101-	3002/03/04	3006/07/08
Operating Voltage	24V dc	230V ac
Current	50mA	12mA
Holding Force		
Newtons	200N	
Kilograms	20.4kg	
Residual Force	Zero	
Dimensions (mm)		
Flush Mount	86 W x 86 H x 24 D	
Steel Mount	86 W x 86 H x 62 D	
Manual Release	Yes	
Keeper Adjustment	+/- 30°	
Operating Temp.	-10° to +50°C	
IP rating	IP51	
Approval	EN1155	