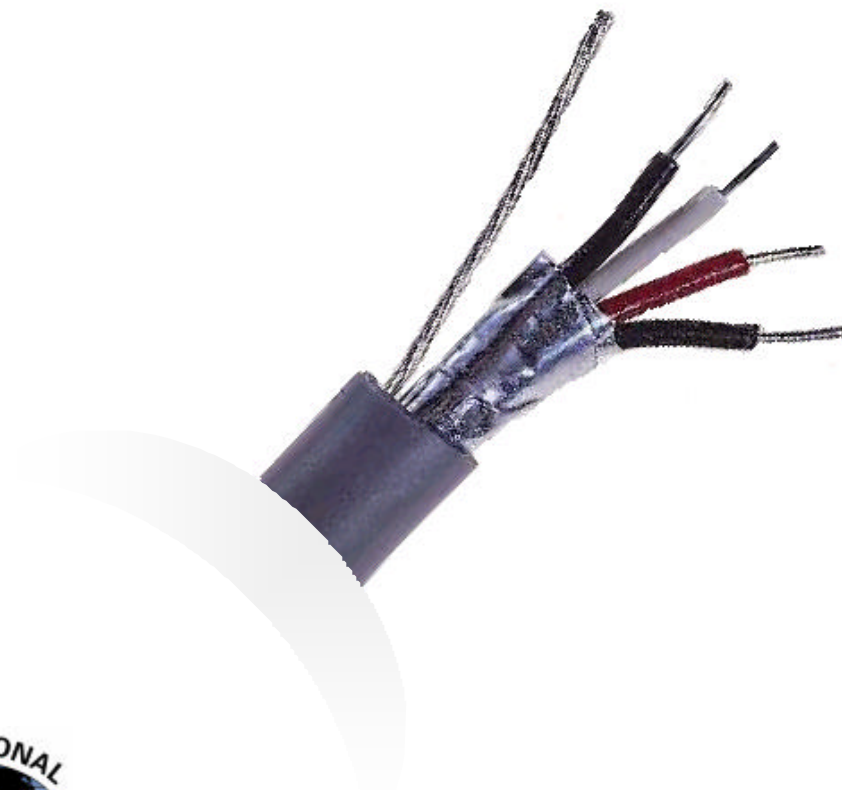




Programming & Graphics Cabling

FireFinderä



Fire Alarm Control Panel

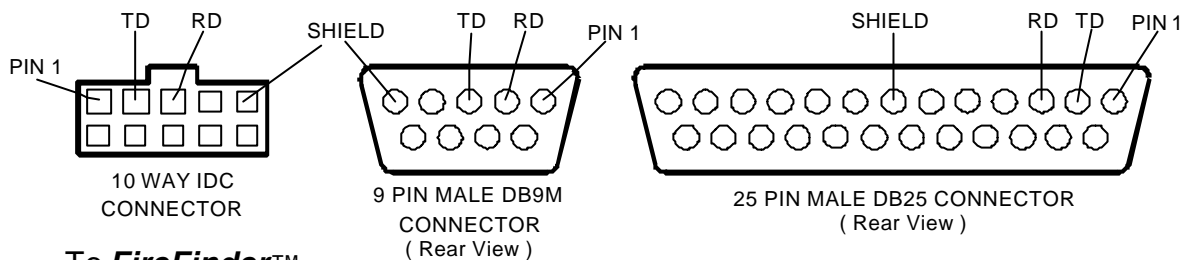
*“ Our aim is to provide ‘ **Consistently Excellent Service** ’ in the eyes of our customers ”*

Table of Contents	Page No
1 Hardware Requirements	2
1.1 Common Serial Communications and Pin Allocations	2
2 DB 9 to DB 25 Conversion.....	3
3 FireFinderä High Level / Graphics Connections	3
4 Modem Adaptor (302-7190)	4
4.1 Connections	4
4.2 Board Overlay.....	4
5 Comms Test Cabling	4
6 FireFinderä to PC Multi-Connector Cabling.....	5

1 Hardware Requirements

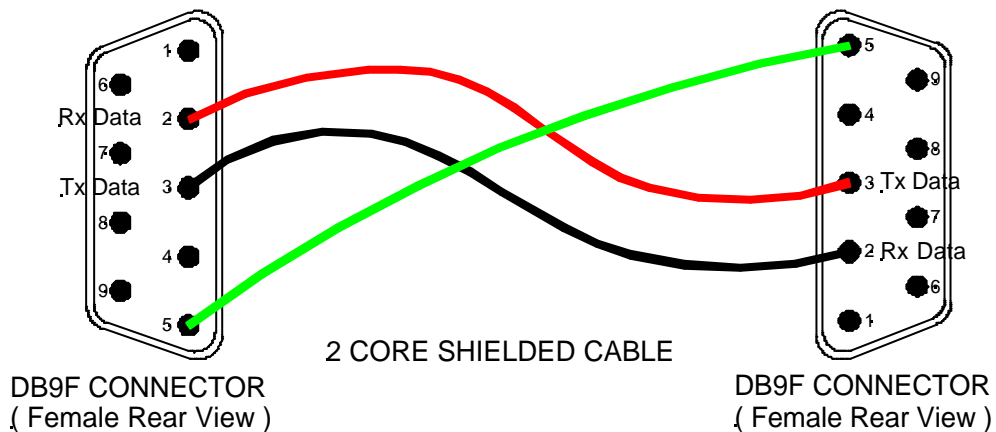
1.1 Common Serial Communications and Pin Allocations

ABBREVIATION	SIGNAL NAME	DB 9 PIN NUMBER	DB 25 PIN NUMBER
TD	Transmitted Data	3	2
RD	Received Data	2	3
RTS	Request to Send	7	4
CTS	Clear to Send	8	5
DSR	Data Set Ready	6	6
SG	Signal Ground	5	7
CD	Carrier Detect	1	8
DTR	Data Terminal Ready	4	20
RI	Ring Indicator	9	22



To **FireFinder™**
 CN8 on 302-674
 Main Board

To PC or Laptop Computer COM Port

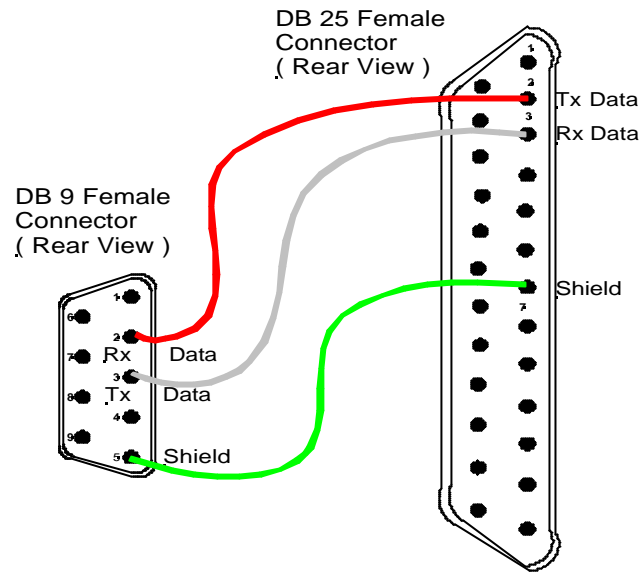


FireFinder™ Debug Cable Connections

The connector on the : **FireFinder™** may be either the 10 way (older versions) or the DB9F connector on later versions, select the one that is appropriate to the system.

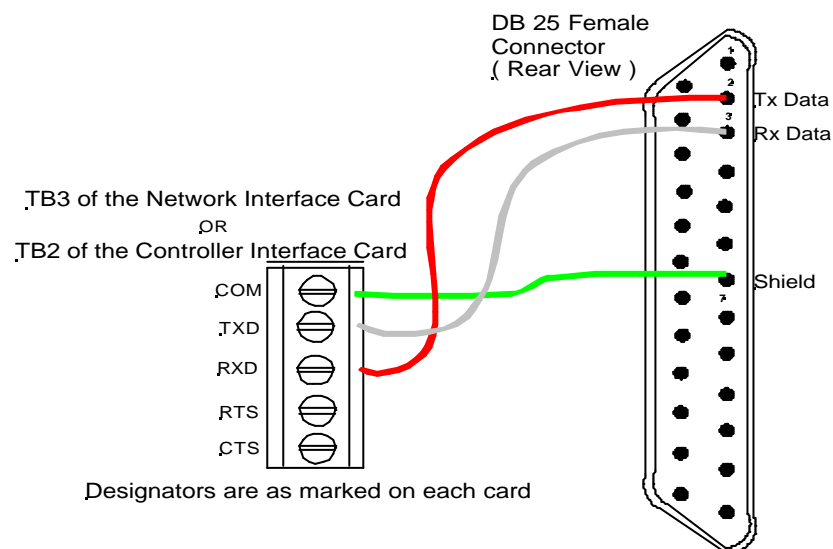
Note the DB9F to DB9F cable is not sensitive to which end is plugged in to the **FireFinder™** or serial port of the PC or vice versa.

2 DB 9 to DB 25 Conversion



3 FireFinderä High Level / Graphics Connections

BOARD	BOARD CONNECTOR	CONNECTOR DESIGNATOR	TXD	RXD	SHIELD
302 6740 – MAIN CONTROLLER	DB9M	CN 8	3	2	5
302 7200 – LCD MIMIC	DB9M	CN 2	3	2	5
302 7240 – N/W I/F CARD	TERMINAL BLOCK	TB 3	2	3	1
302 7250 – CONTROLLER I/F CARD	TERMINAL BLOCK	TB 2	2	3	1



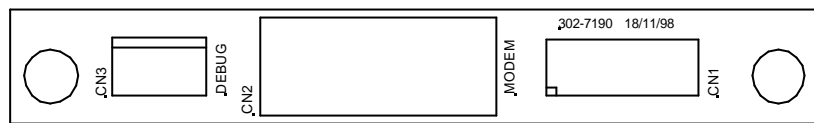
4 Modem Adaptor (302-7190)

The modem adaptor provides a DB9M connector that allows for direct connection to the *FireFinder*TM using standard computer cables.

4.1 Connections

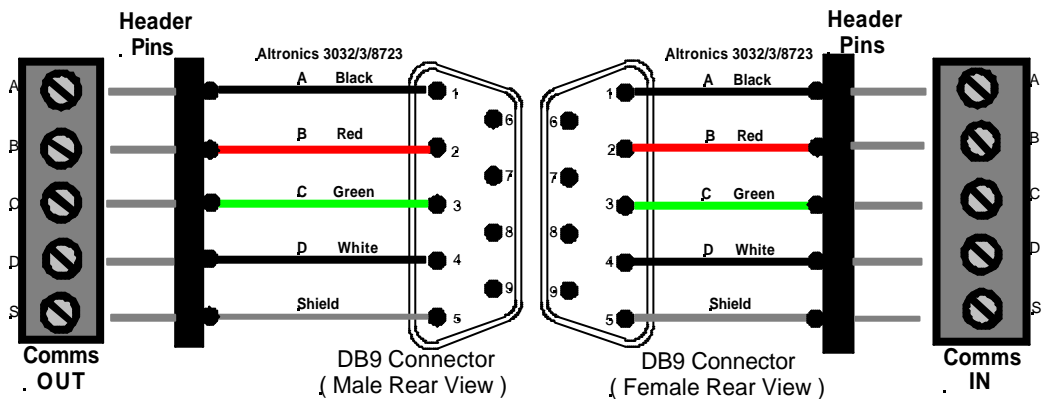
Connector	Connects to
CN1	CN8 Main Controller Board (302-6740)
CN2	Modem / debug port
CN3	Old style AB3000 Ampac debug cable

4.2 Board Overlay

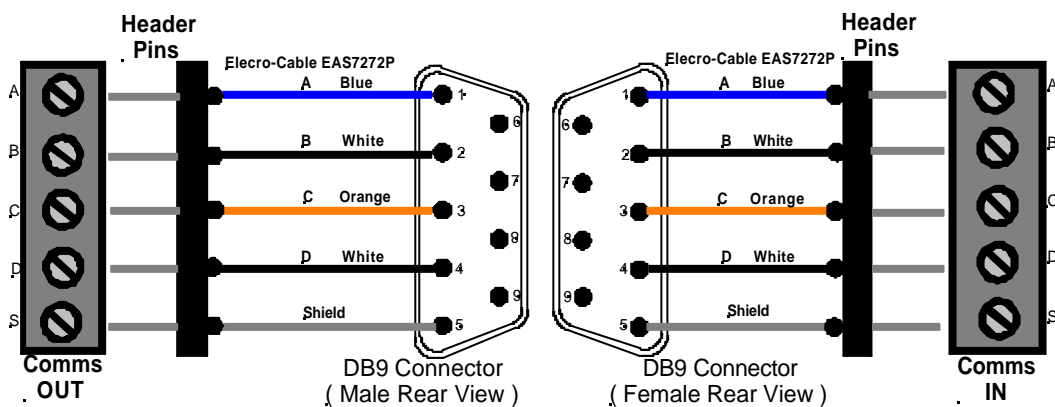


302-7190 Modem Adaptor Board

5 Comms Test Cabling

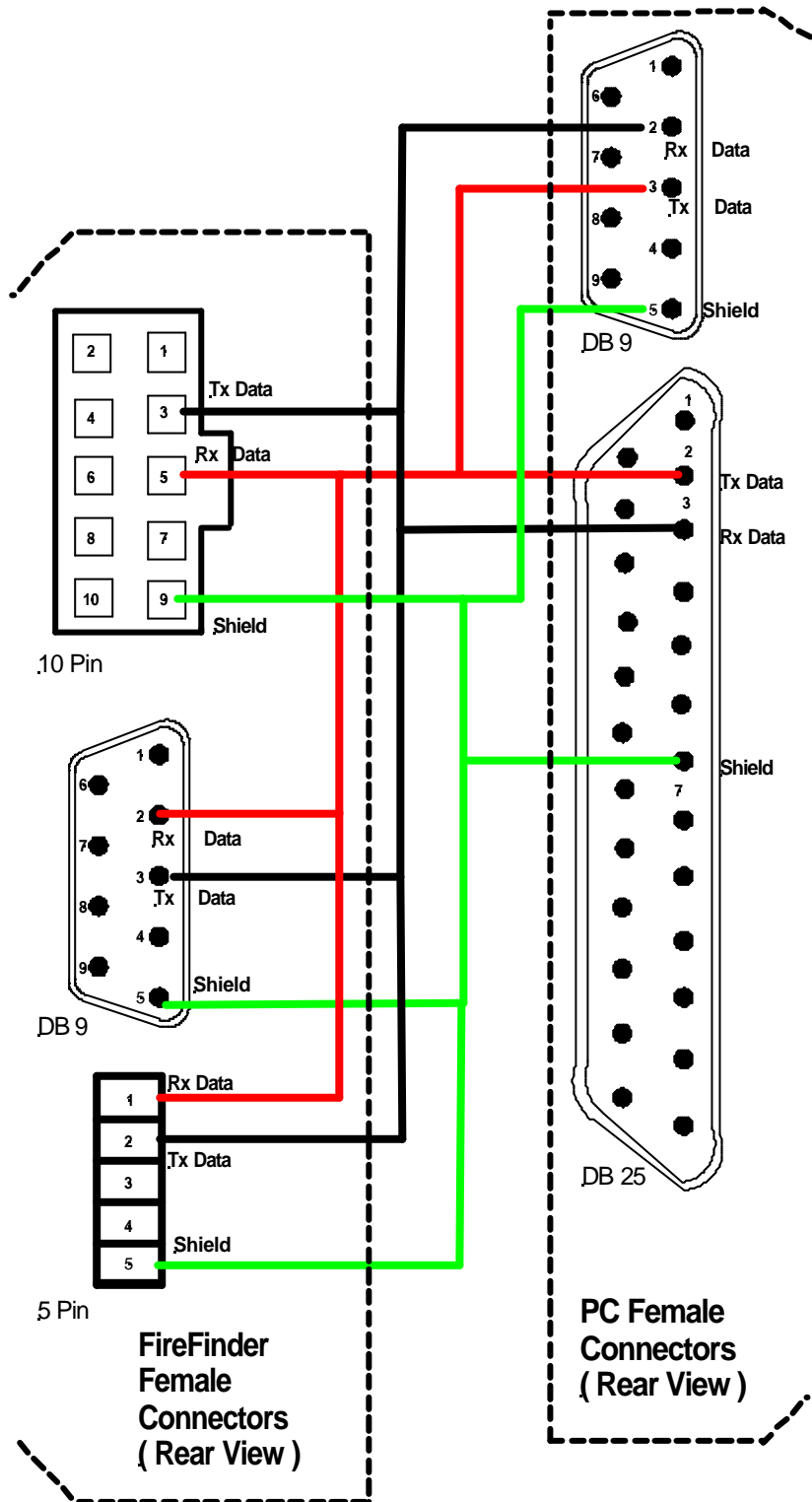


**STANDARD WIRING for RS 422 COMMS TEST CABLE
USING ALTRONICS 3032/3/8723 CABLE**



**STANDARD WIRING for RS 422 COMMS TEST CABLE
USING ELECTRO - CABLE EAS7272P**

6 FireFinderä to PC Multi-Connector Cabling





www.ampac.net

**AUSTRALIA
AMPAC TECHNOLOGIES PTY LTD**

7 Ledger Rd
Balcatta
WA 6021
Western Australia

Tel: 61 8 9242 3333
Fax: 61 8 9242 3334
Email: info@ampac.net

**EUROPE
AMPAC EUROPE LTD. (UK)**

Unit 18 Networkcentre
Yorkshire Way
West Moor Park
Doncaster DN3 3GW
United Kingdom

Tel: +44 (0) 1302 833 522
Fax: +44 (0) 1302 835 021
Email: info.eu@ampac.net

**NEW ZEALAND
AMPAC PACIFIC LTD**

Unit 4 101 Diana Drive
Glenfield,
Auckland
New Zealand

Tel: 64 9 443 8072
Fax: 64 9 443 8073
Email: info.nz@ampac.net



HEAD OFFICE

UNCONTROLLED DOCUMENT

NOTE: Due to Ampac's commitment to continuous improvement specifications may change without notice.