

Commissioning

It is important that the system be fully tested after installation. In normal operating conditions, apply short-circuits to the supply wiring at various points to confirm the isolators are functioning correctly. Ensure that BS5839 Part 1 and any applicable local codes are adhered to.

LED Indicators

Yellow LED illuminated if a short-circuit is detected either side of the isolator.

Troubleshooting

Before investigating individual units for faults, it is very important to check that the system wiring is fault free. Earth faults on a data loop or any ancillary zone wiring may cause communication errors.

Many fault conditions are the result of simple wiring errors.

Fault finding

	Problem	Possible Cause
	LED illuminated constantly	Short circuit on loop wiring Wiring reverse polarity
	Failure to isolate a short circuit	Too many devices between isolators Incompatible control panel Incorrect wiring



XP95 Negative Switching Isolator Installation Guide

General

XP95 Isolators and isolating bases are designed to sense and isolate short-circuits on XP95 and Discovery loops.

XP95 Isolating base, part no 45681-284AMP, item number 201-0125, is used in place of standard XP95 or Discovery bases and contain the same isolating circuitry as the stand-alone device.

Note: the XP95 isolating base, part no 45681-284AMP, item number 201-0125 is not compatible with the Discovery CO detector, part no 58000-300.

If you are required to provide isolation for the Discovery CO detector, then it can be treated as a single device within an existing isolated zone boundary (see PDS201-9001 for more information). Alternatively, a stand-alone isolator, part no 55000-720, can be placed either side of the Discovery CO detector.

Mounting

Isolators and isolating bases are loop powered and polarity sensitive and can be damaged if connected in reverse polarity. It is important to note the polarity is indicated at the wiring terminal.

Mounting the Isolating base (part no 45681-284AMP, item number 201-0125)

1. Secure the base to an even surface.
2. Note that the base had a raised profile which serves as a detector LED locator.
3. Connect the wiring following the diagram overleaf.
4. Ensure earth continuity is maintained using the earth terminal on the base if required.
5. Program the address card. See table overleaf for address data.
6. Fit the appropriate detector.

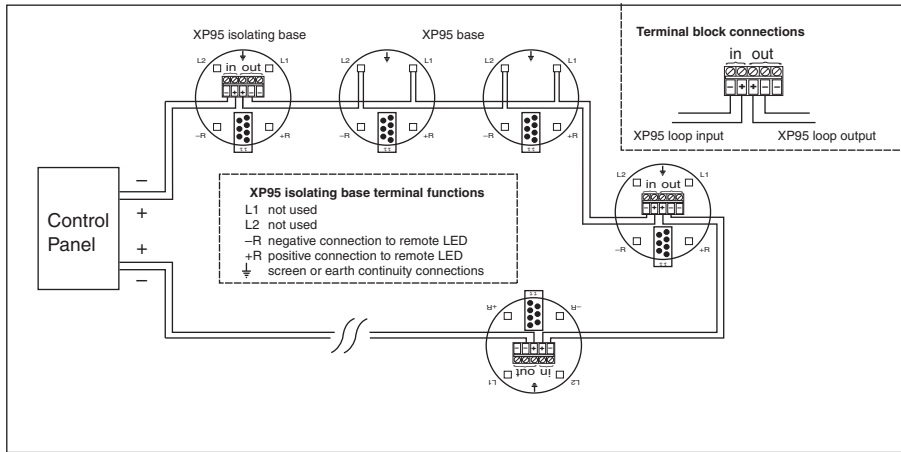
Ampac
7 Ledger Road, Balcatta, Western Australia 6021
Telephone: +618 9201 6100 Fax: +618 9201 6101
Email: info@ampac.net Website: www.ampac.net

Apollo Fire Detectors Limited, 36 Brookside Road, Havant, Hants, PO9 1JR, UK
Tel +44 (0)23 9249 2412 Fax +44 (0)23 9249 2754
Email: techsales@apollo-fire.co.uk Website: www.apollo-fire.co.uk

Wiring Details

All wiring terminals will accept solid or stranded cables up to 2.5mm².

Circuit with Isolating Bases



For a full technical specification of XP95 Isolators and isolating bases, please refer to the XP95 Isolators and Isolating Bases product data sheet, PDS201-9001.

Address Setting

Select the desired address and remove the pips indicated in black. Remove pips with a small screwdriver.

