

Vantage LED Beacons

Features

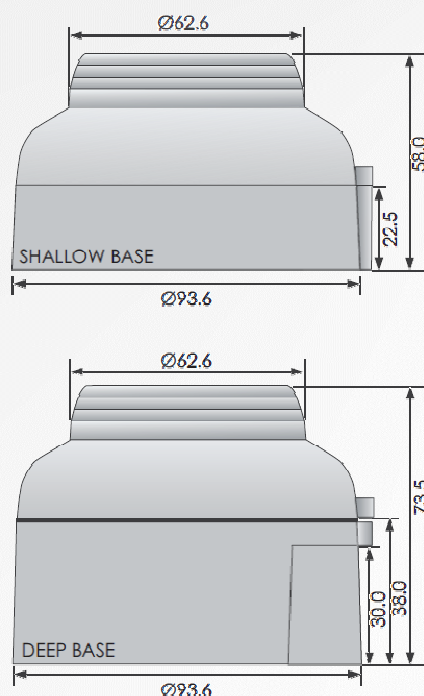
- Aesthetic Modern Design
- 1Hz Flash Rate
- Low Power Consumption
- All-round Visibility
- Bayonet Fixing Mounting Base
- Waterproof version (Deep Base)

Description

Designed as a general-purpose LED beacon for industrial applications, the Vantage Beacon incorporates the latest in energy efficient LED technology to provide maximum all-round visibility in an aesthetically pleasing body with minimum power requirements.

The Vantage LED Beacon is available with a Blue lens and white body colour and is offered with either a shallow base for rear cable entry or a deep base to facilitate both rear and surface cable entry. Quick fit installation is achieved by the bayonet fixing arrangement on both types of mounting base, which includes a locking feature, with cable termination being made via 45° terminals located on the underside of the beacon.

Dimensions



Vantage LED Beacon

Item Numbers

Item No	Description
4107-1013	Blue LED Beacon White Shallow Base
4107-1014	Blue LED Beacon White Deep Base

Specifications

Operating Voltage	20 - 35V DC
Current Consumption at Standard	24Vdc 5mA
Low	3mA
Power Consumption at Standard	24Vdc 120mW
Low	72mW
Flash Rate	1Hz
Operating Temp.	-20°C +70°C
Humidity	0 to 95% Non-condensing
Material	ABS fire retardant plastic
Dimensions	
Shallow Base	94mm \varnothing x 58mm H
Deep Base	94mm \varnothing x 74mm H
IP rating	IP43 (shallow) IP65 (deep)
Weight	145g (shallow) 165g (deep)