

**Description:**

The board interfaces 5 FACP front panel programmed outputs, alarm, fault, isolate, battery fail, and 2nd alarm to field control and monitoring equipment OR fire brigade signaling equipment. 1 board per FACP can be fitted.

The Brigade Interface Board Fast Fit Kit consists of:

- 1 x Brigade Interface Board
- 1 x 220mm RJ45M Comms and 27VDC cable
- 1 x 350mm RJ45M Comms and 27VDC cable
- 4 x M3 by 6mm screws
- 4 x M3 by 8mm screws.

**Installation:**

**Observe anti-static precautions at all times**

1. Power down, disconnect the batteries and remove the control panel by undoing the 4 corner screws holding it to the cabinet. Take care not to stress existing cabling.
2. Mount the board on the appropriately spaced standoff locations on the left hand side of the backpan and just above the batteries using the screws supplied.

3. Bring the field cabling into the FACP OR install the Brigade I/F Equip and terminate to TB1 to 5
4. Replace the front panel
5. Power up, reconnect batteries, program and test

**Connectors**

**CN1** Is the RS485 Comms / 27VDC input from CN2 of the previous board or CN5 of the Main Control Card.

**CN2** Is the Comms / 27VDC output to CN1 of the next Board, if fitted.

**Other**

**TB1/5** Voltage free contacts as shown below.

**LK1** EOL Link fitted to the last board in the chain.

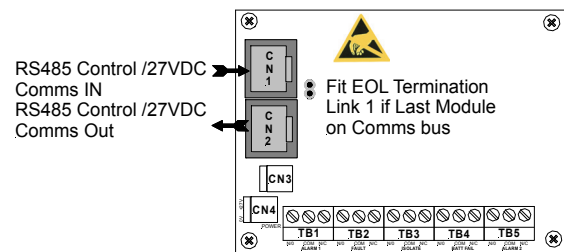


Figure 1: Brigade Board PCB Layout

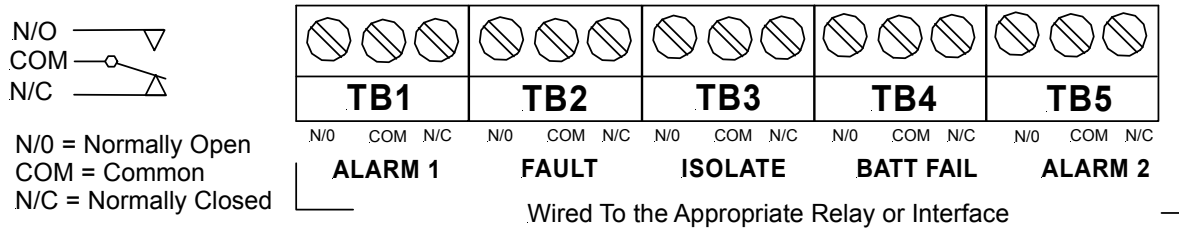


Figure 2: TB1 to TB5 Cabling

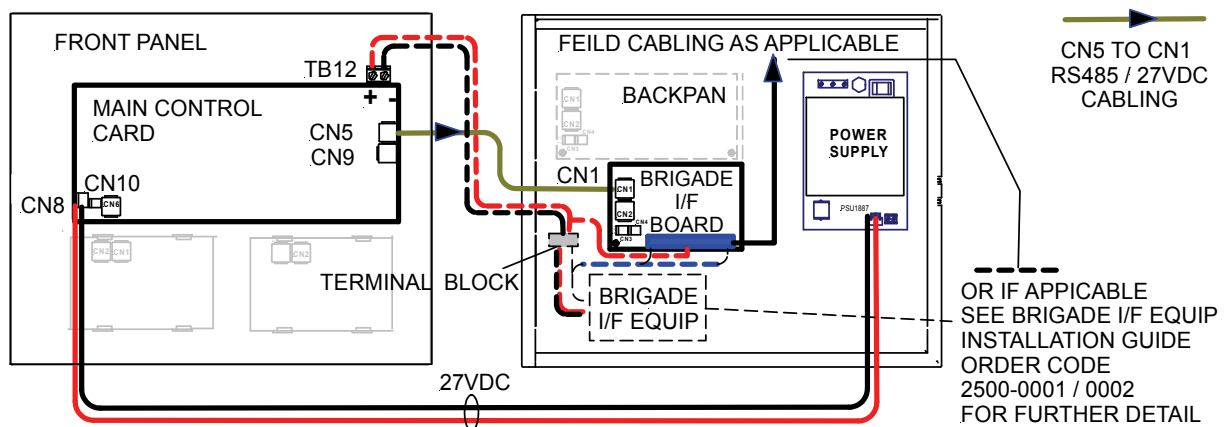


Figure 3: FACP Internal Cabling & Brigade Board Positioning