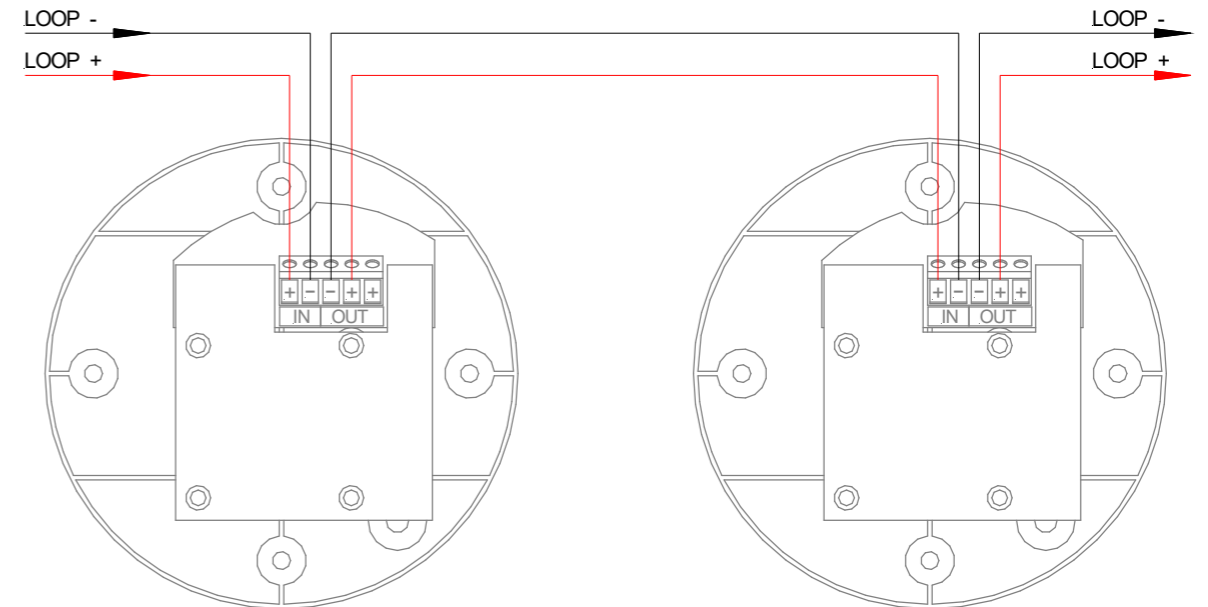


**NOTE:**  
 Screws and fixings not supplied with product items shown in this drawing

**WIRING DIAGRAM**



 DRAFTING STANDARD AS 1100-1992  DIMENSIONS IN MILLIMETRES	TOLERANCES UNLESS OTHERWISE NOTED WHOLE NUMBERS ±0.5 1 DECIMAL PLACE ±0.2 2 DECIMAL PLACES ±0.1 ANGLES ±0.5°	DRN	JNR		<b>TITLE:</b> ANGLED WALL BOX FOR 4112-2011 / 4112-2016 INSTALL GUIDE	
		DATE	06/02/20			
		APP'D	I.R.			
		DATE	06/02/20			
		SCALE	1:3.5		SHEET 1 OF 1 DRG No. 4112-2012 REV 1	