

# Ceiling Speaker with ABS Grille

## Features

- 200mm low profile design
- Tuned PA driver designed to meet fire standards
- Excellent speech intelligibility
- Fire resistant ABS safety cover
- High quality speaker driver
- Compression glands supplied
- One-shot 'snap-fit' mounting

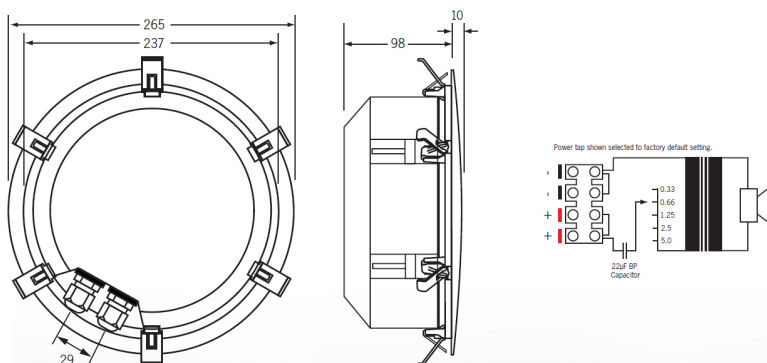


## Description

Designed to meet the requirements of evacuation and occupant warning paging systems. This high efficiency speaker and transformer combination ensures high SPL, wide frequency response, superior speech intelligibility and reproduction for critical fire system applications. The ceiling mount speaker is certified to the AS ISO7240.24 standard for fire & evacuation announcements in buildings.

Each speaker is fitted with a fire retardant speaker/transformer safety cover, cable glands and terminal blocks for easy on site termination. The speaker utilises the One-Shot 'snap fit' mounting system.

## Dimensions (mm)



## Item Numbers

- 4113-1064** Ceiling Speaker 200mm White ABS Grille
- 4113-1065** Ceiling Speaker 200mm Black ABS Grille

## Specifications

<b>Rated Noise Power</b>	5 Watts (100V line)
<b>Power Taps &amp; Impedance (100V line)</b>	0.33W (30kΩ), 0.66W (15kΩ), 1.25W (8kΩ), 2.5W (4kΩ), 5W (2kΩ)
<b>Sensitivity</b>	94dB (1W @ 1m), 82dB (1W @ 4m)
<b>Maximum Sound Pressure Level</b>	100dB (5W @ 1m), 88dB (5W @ 4m)
<b>Frequency Response</b>	100Hz-15kHz, 500-4kHz ±5dB
<b>Coverage Angle (-6dB)</b>	500Hz: > 180°, 1000Hz: 170°, 2000Hz: 90°, 4000Hz: 60°
<b>Environmental Type</b>	A (for indoor applications as per standard)
<b>Speaker Component</b>	200mm (8") paper cone speaker
<b>Mounting Hole</b>	246mmØ
<b>Mounting Method</b>	6 x plastic spring loaded clip
<b>Line Monitoring</b>	Yes, 22µF bipolar capacitor
<b>Applicable Cable</b>	2.5mm <sup>2</sup> (14AWG) max conductor area
<b>Connection</b>	4 way screw terminal
<b>Finish</b>	White or black flame retardant ABS grille (Taitalac 8540T) Clear Flame retardant ABS spring clips (Makrolon 6557) Red flame retardant ABS transformer dome cover (Starex VH-0800)
<b>Dimensions</b>	265mm Ø x 108mm D
<b>Weight</b>	1.25 kg