

Fire detection and evacuation solutions that save lives.

Reach Wireless Remote Indicator Module

Features

- Compatible only with Reach Wireless
- Red LED with large diffuser for greater visibility
- Bi-directional wireless communication
- Dual channel redundancy
- Five year product warranty

Description

This is a wireless addressable remote indicator that can be used to indicate the activation of an individual device or zone.

Device Addressing

Device addressing is handled by the Reach Wireless Loop-Interface device.

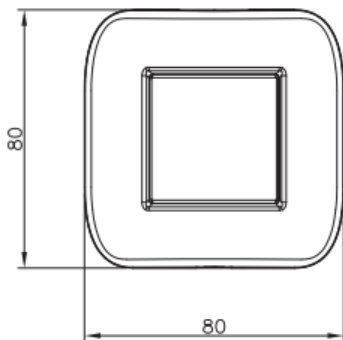
Devices are soft-addressed automatically when pairing with the Loop Interface and can be changed manually.

Communication

Reach Wireless Devices use 'radio-frequency' wireless communication to connect to the Loop-Interface.

The Loop-Interface translates the wireless communication into wired XP95 protocol communication, with each device addressable individually by the fire panel.

Dimensions



Specifications

Communication Range between Loop-Interface and Devices	100 m (in open space)
Field Device Radio Frequency	22 pairs
Radiated Power	14 dBm (25 mW)
Battery Type	2x VARTA CR123A Lithium 3 V,
Battery Lifespan	5 years in normal operation with good signal strength (no dropped messages)
Operating Temperature	-10°C to +55°C
Maximum Relative Humidity (non-condensing)	95%
IP Rating	IP 42
Dimensions	80 mm diameter x 80 mm height x
Weight (including batteries)	60 g

All data is supplied subject to change without notice. Specifications are typical at 24 V, 25°C and 50% RH unless otherwise stated.

Item Numbers

	Australia	International
Reach Remote Indicator	4110-2105	RW1500-800APO