

Fire detection and evacuation solutions that save lives.

# Flame Detector Tester

## Description

The Talentum TT<sup>2</sup> is a test and calibration unit explicitly designed to work with the full range of Talentum® Flame Detectors.

Using the intuitive menu, choose the type of Flame Detector to be tested; squeeze the trigger, and the Talentum TT<sup>2</sup> will automatically perform a test from a distance of up to 8 metres, which means that in many applications, the Flame Detector can be tested from ground level.

The Talentum TT<sup>2</sup> recreates the characteristic spectrum of a flame using a combination of UV and IR bulbs. Once testing is complete the Talentum TT<sup>2</sup> can store your test results for download to a PC.

In addition to the testing functionality, the Talentum TT<sup>2</sup> can recalibrate a Talentum® Flame Detector. Connect the Calibration Kit between the Talentum TT<sup>2</sup> and the front of the Talentum® Flame Detector and follow the menu to recalibrate the Flame Detector in the field.

The TalentumTT<sup>2</sup> integral battery is recharged via USB from either a PC or off the shelf USB charger.

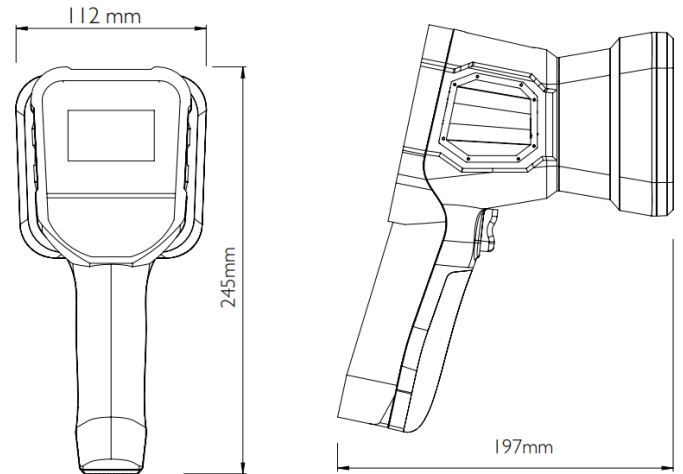


Flame Detector Tester

## Specifications

|  |   |
|--|---|
| <b>Suitability</b>                       | Talentum UV, UV/IR, UV/IR2, IR3           |
| <b>Range</b>                             | 8m (max)                                  |
| <b>Test Time</b>                         | Up to 40 tests each of 30 seconds         |
| <b>Service Interval</b>                  | 2000 tests, or 2 years                    |
| <b>Batteries</b>                         | Lithium Ion rechargeable                  |
| <b>Battery charging time</b>             | 3 hours (fast), 8 hours (normal) from 80% |
| <b>Charging and data port</b>            | USB type C                                |
| <b>Weight</b>                            | 850g                                      |
| <b>Dimensions</b>                        | 112(W) x 245(H) x 197(D)mm                |
| <b>Ingress protection rating</b>         | IP54                                      |
| <b>Operating temperature</b>             | -10°C to +55°C                            |
| <b>Storage temperature</b>               | -20°C to +65°C                            |
| <b>Talentum in field calibration kit</b> | Optional                                  |
| <b>Field calibration record capacity</b> | 1024 calibrations                         |

## Dimensions



## Item Numbers

|                  |   |
|------------------|---|
| <b>4112-1014</b> | Flame Detector Tester without calibration kit |
| <b>4112-1015</b> | Flame Detector Tester with calibration kit    |
| <b>4112-1016</b> | Standalone Calibration kit                    |
| <b>4112-1017</b> | Replacement Diffuser Cartridge                |
| <b>4112-1018</b> | Replacement Calibration Interface Cable       |