

Fire detection and evacuation solutions that save lives.

Flame Detector Tester Calibration Kit

Description

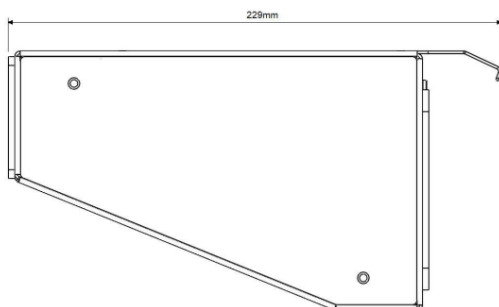
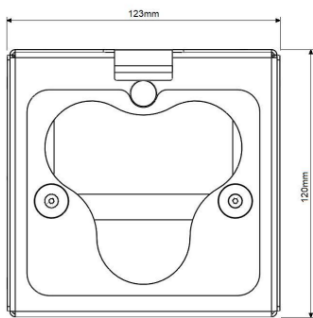
The Talentum TT² calibration kit enables in-situ adjustment of installed Talentum® Flame Detectors, bringing them back to factory fresh performance, extending their service life.

The kit comprises an infra-red excluding shroud, required to eliminate potential interference from external warm bodies, and an interface cable to attach to a Talentum® service port.

Simply hook the shroud onto the front of the Talentum TT², and connect the interface cable to the front of the Talentum® Flame Detector to recalibrate. Then, select the Recalibrate Talentum option from the Talentum TT² main menu, and follow the on screen prompts.

Recalibration takes around one minute and is fully automated using the Talentum TT² on-board microprocessor which calculates the optimum settings. The new settings, as well as a unique calibration reference number, are stored in the Talentum TT² memory which can later be downloaded to a PC for further analysis and to provide a record of the operation.

Dimensions



Flame Detector Tester Calibration Kit

Specifications

Suitability	Talentum UV, UV/IR2, IR2, IR3
Material	Aluminium
Weight	430g
Dimensions	120 x 120 x 190mm
Ingress protection rating	IP11
Connectivity	USB type C to Talentum
Latching mechanism	Magnetic
Operating temperature	-10°C to +55°C
Storage temperature	-20°C to +65°C

Item Numbers

4112-1016	Standalone Calibration kit
4112-1017	Replacement Diffuser Cartridge
4112-1018	Replacement Calibration Interface Cable